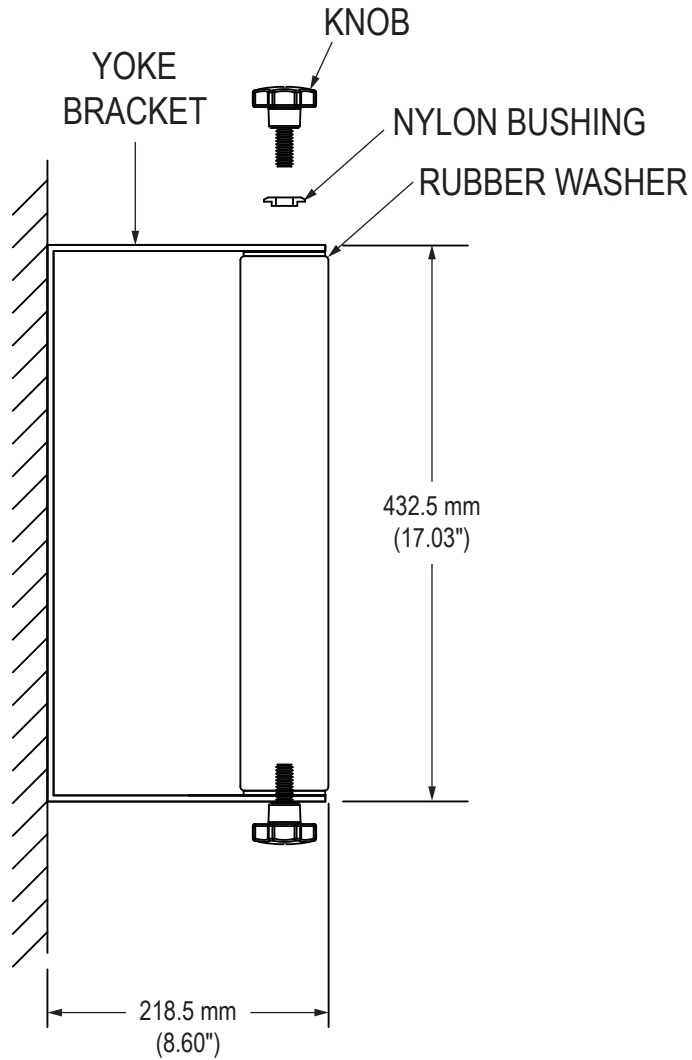
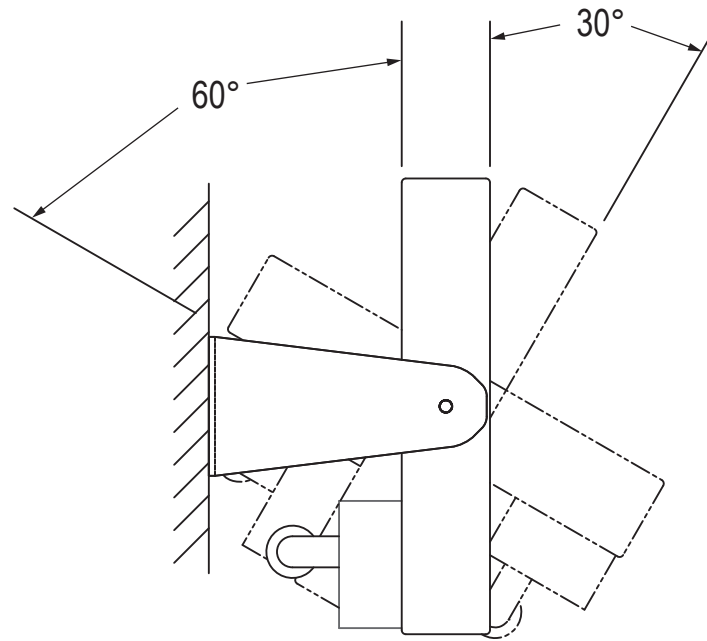


15/17" MODEL

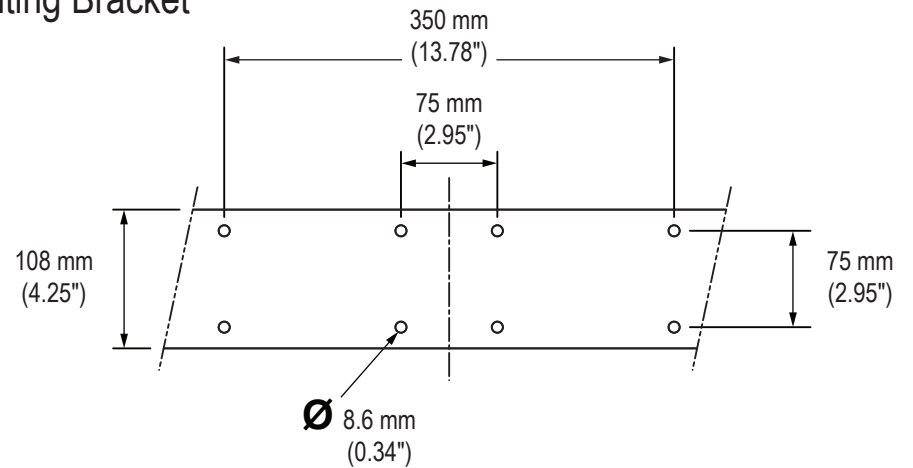
Top View



Side View



Mounting Bracket

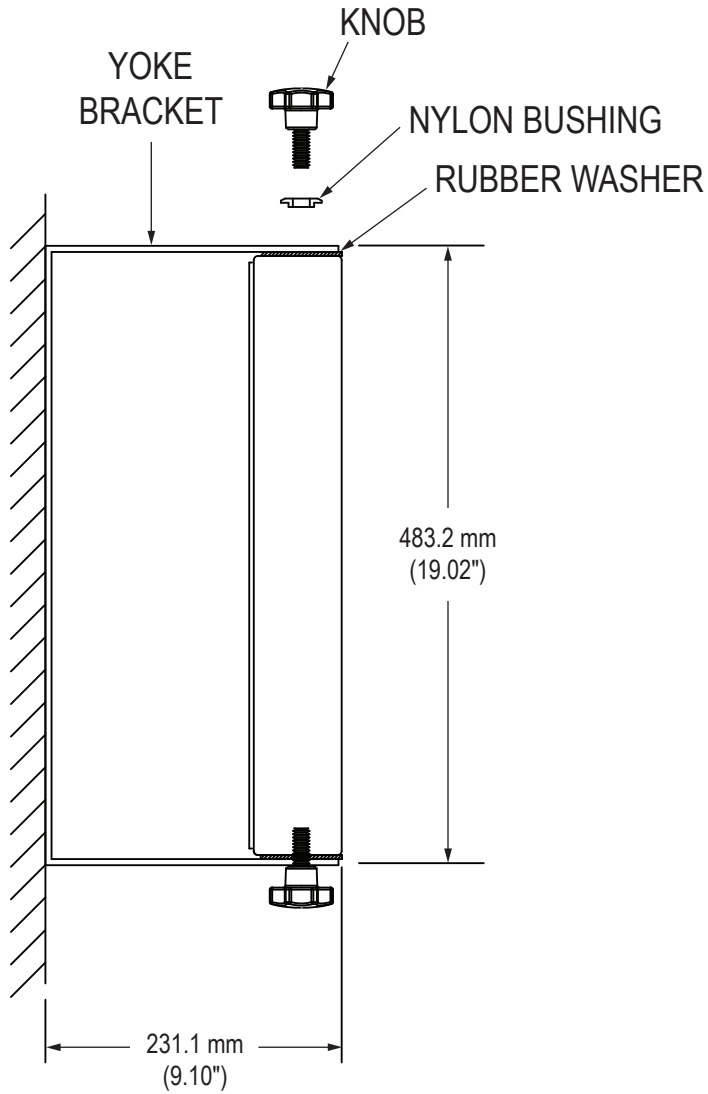


Mechanical Drawing – Heavy Industrial Wall Yoke

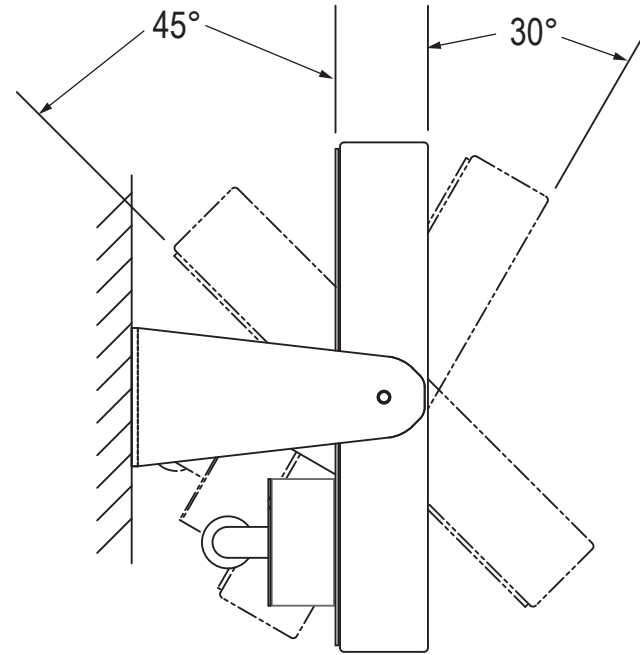


# 19" MODEL

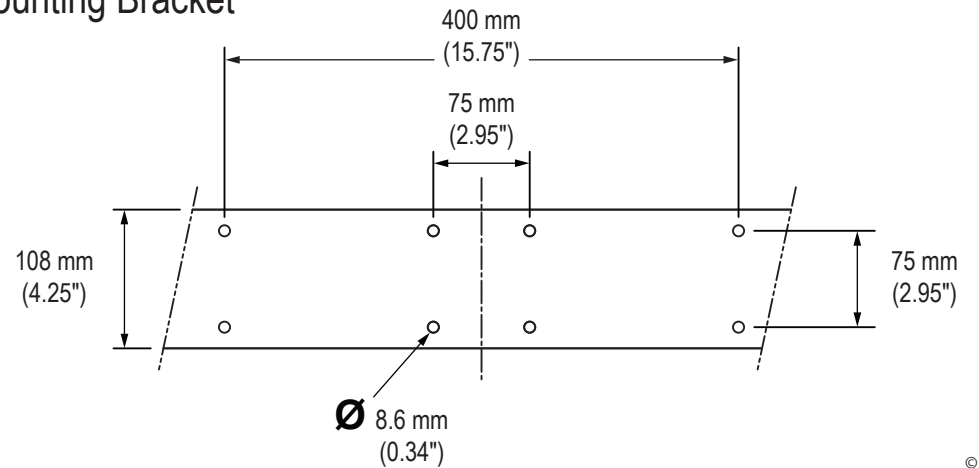
Top View



Side View

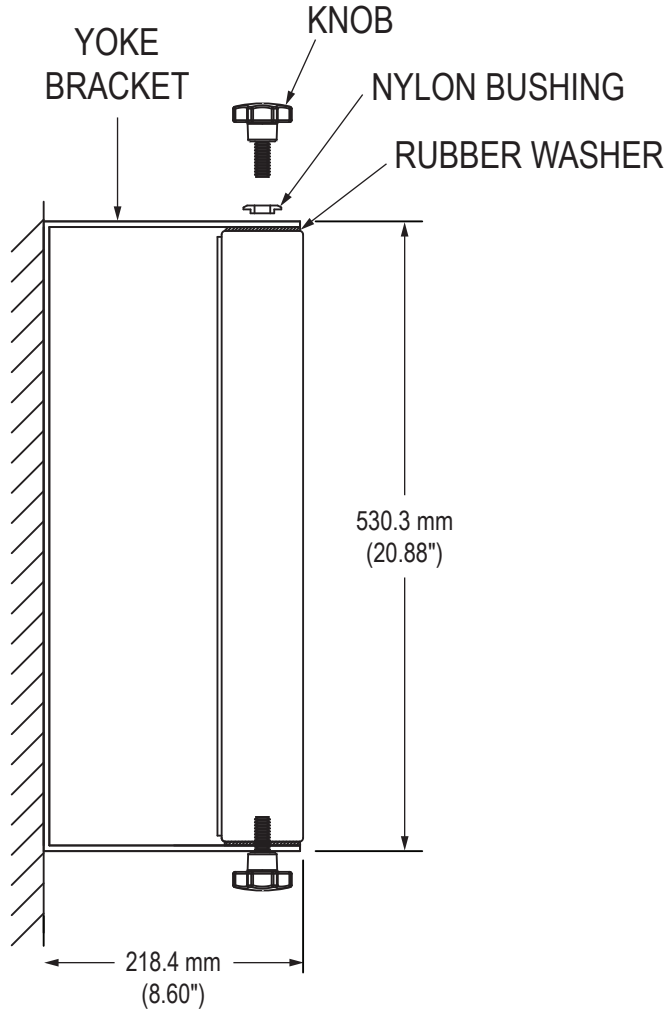


Mounting Bracket

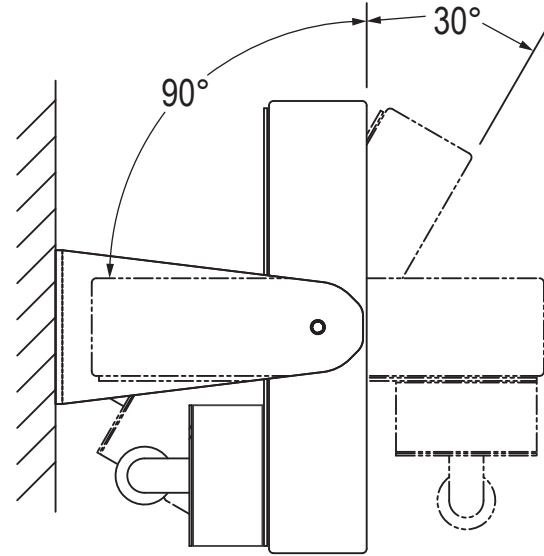


19.5" MODEL

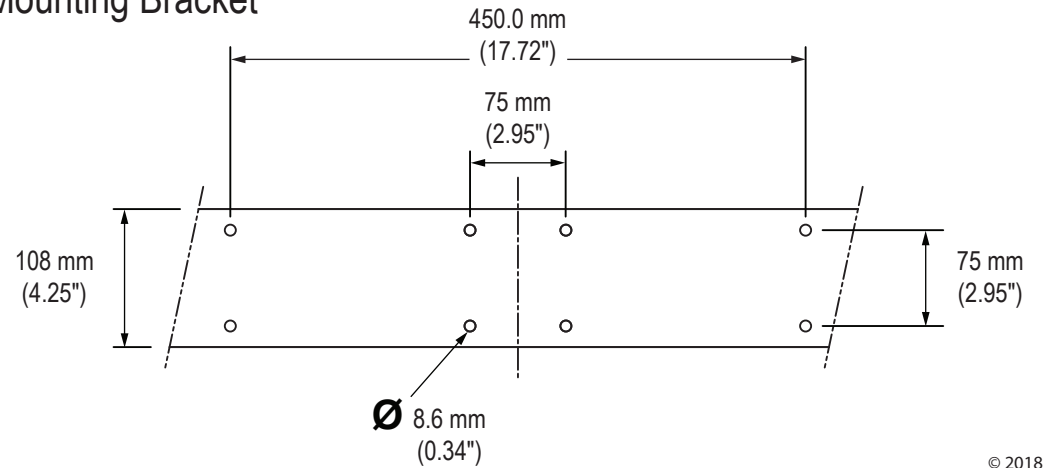
Top View



Side View

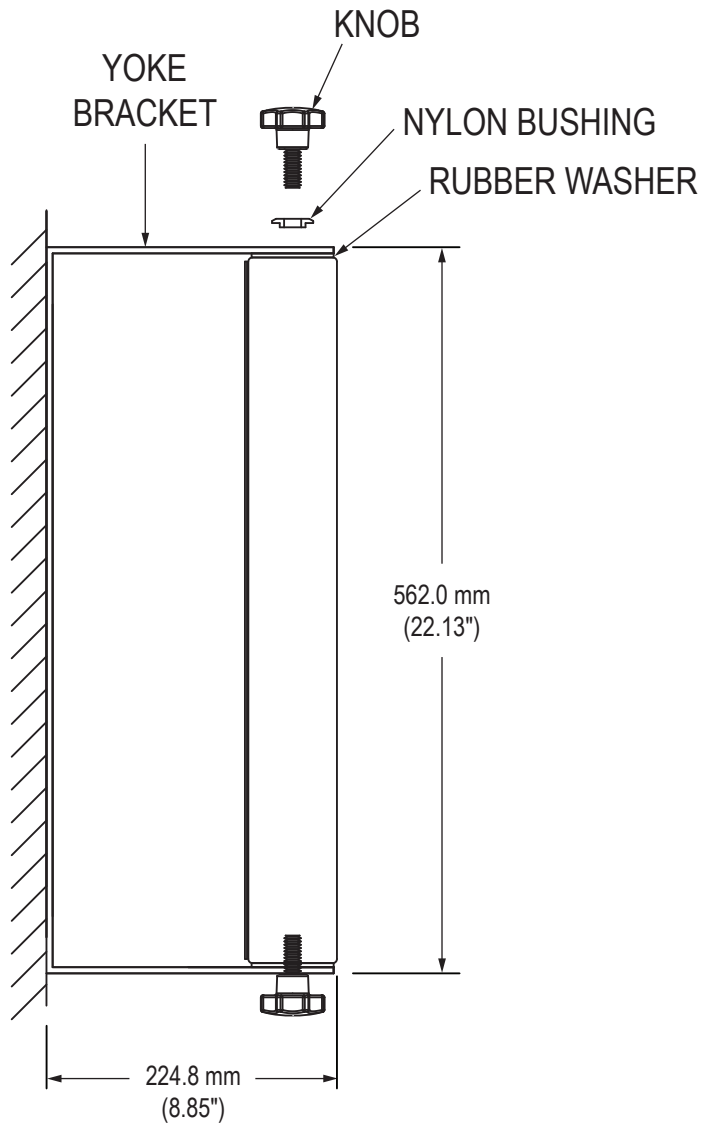


Mounting Bracket

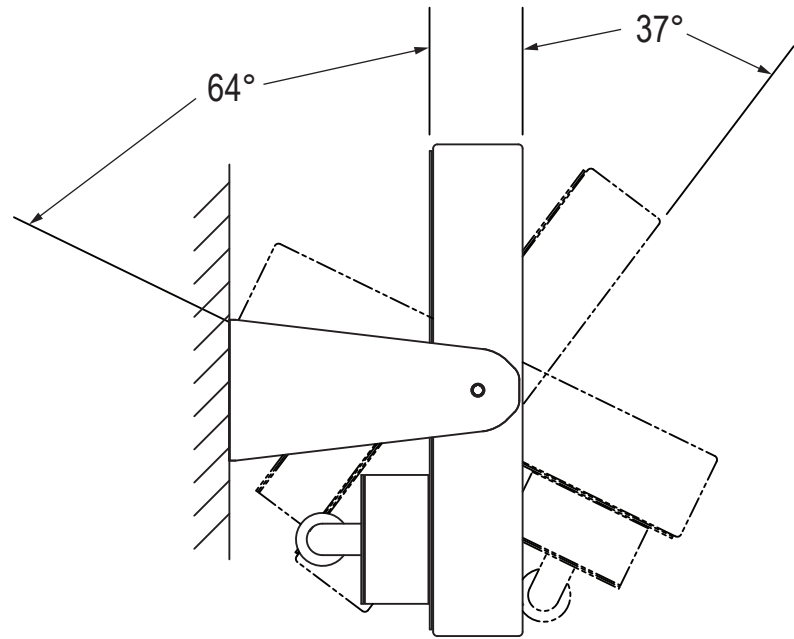


# 22" MODEL

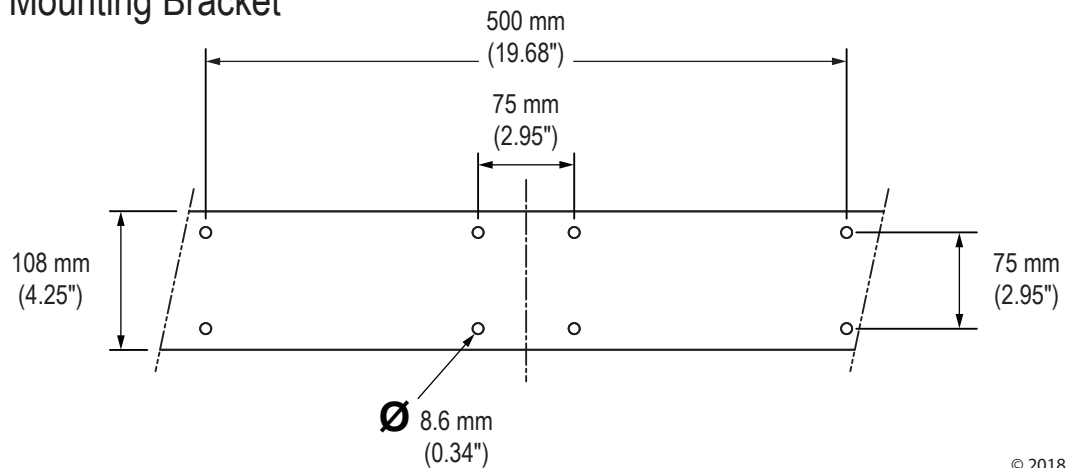
Top View



Side View



Mounting Bracket



Mechanical Drawing – Heavy Industrial Wall Yoke

© 2018



Hope Industrial Systems, Inc.  
 Toll Free: (877) 762-9790 · International: +1 (678) 762-9790  
 UK: +44 (0) 20 7193-2618 · E-mail: support@HopelIndustrial.com

Part Number: YW-07 series

Revision:

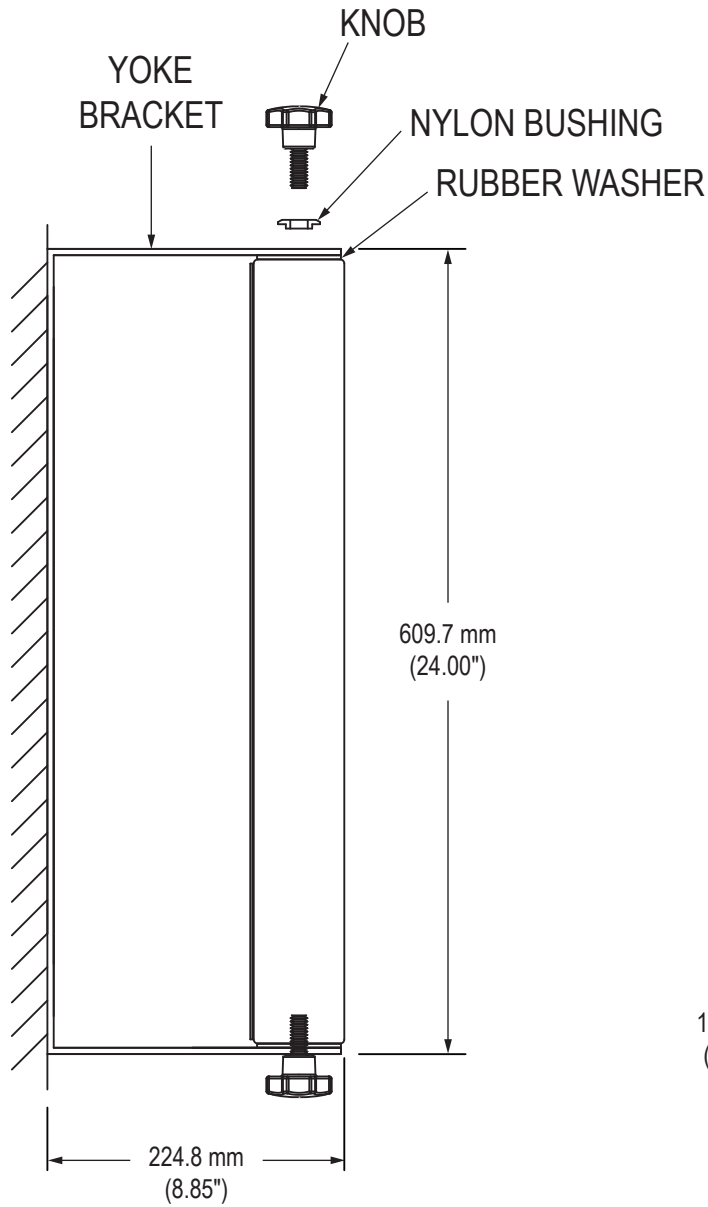
Date: 2016.01.29

Page 4 of 5

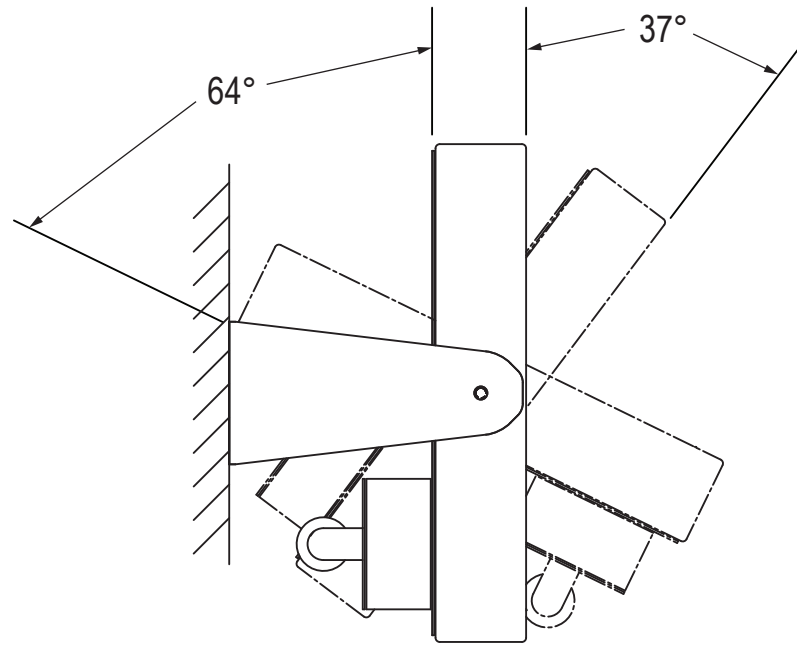
NOTES:

# 23" MODEL

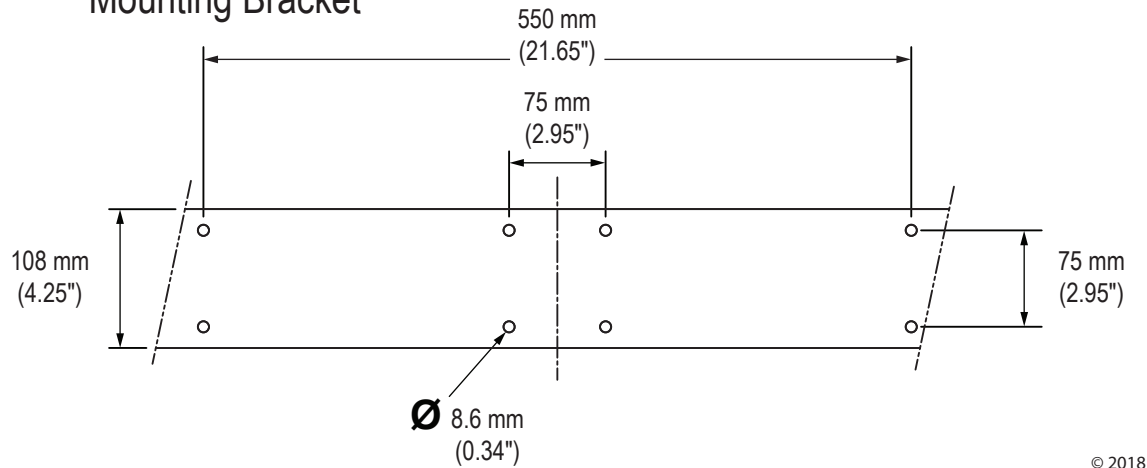
Top View



Side View



Mounting Bracket



Mechanical Drawing – Heavy Industrial Wall Yoke

© 2018



Hope Industrial Systems, Inc.  
 Toll Free: (877) 762-9790 · International: +1 (678) 762-9790  
 UK: +44 (0) 20 7193-2618 · E-mail: support@HopeIndustrial.com

Part Number: YW-07 series

Date: 2016.01.29

NOTES:

Revision:

Page 5 of 5