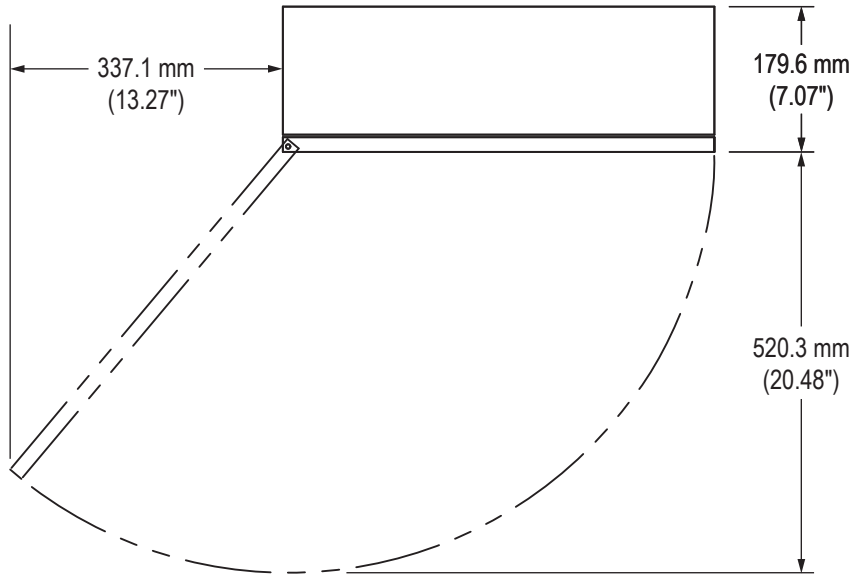
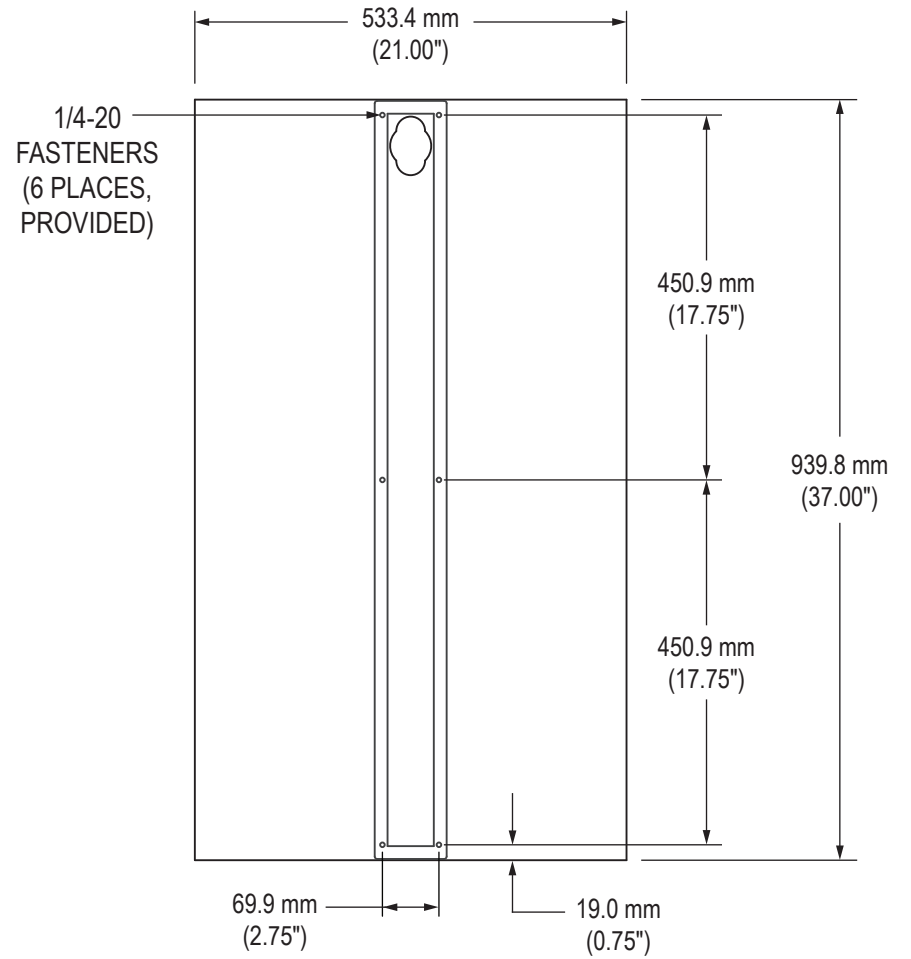


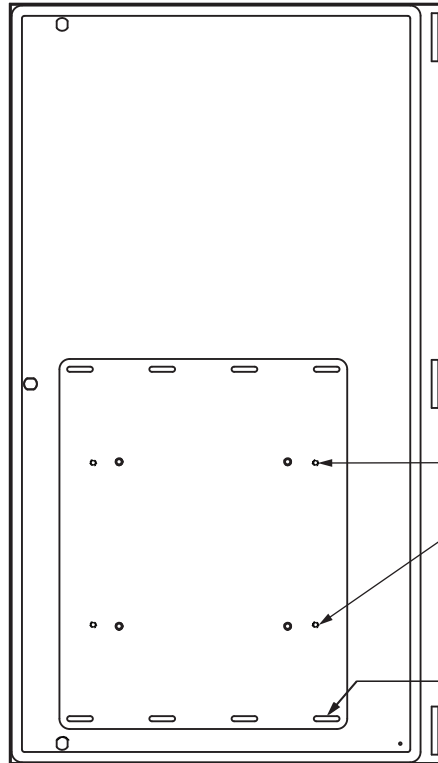
Top View (showing clearance required for door)



Rear View



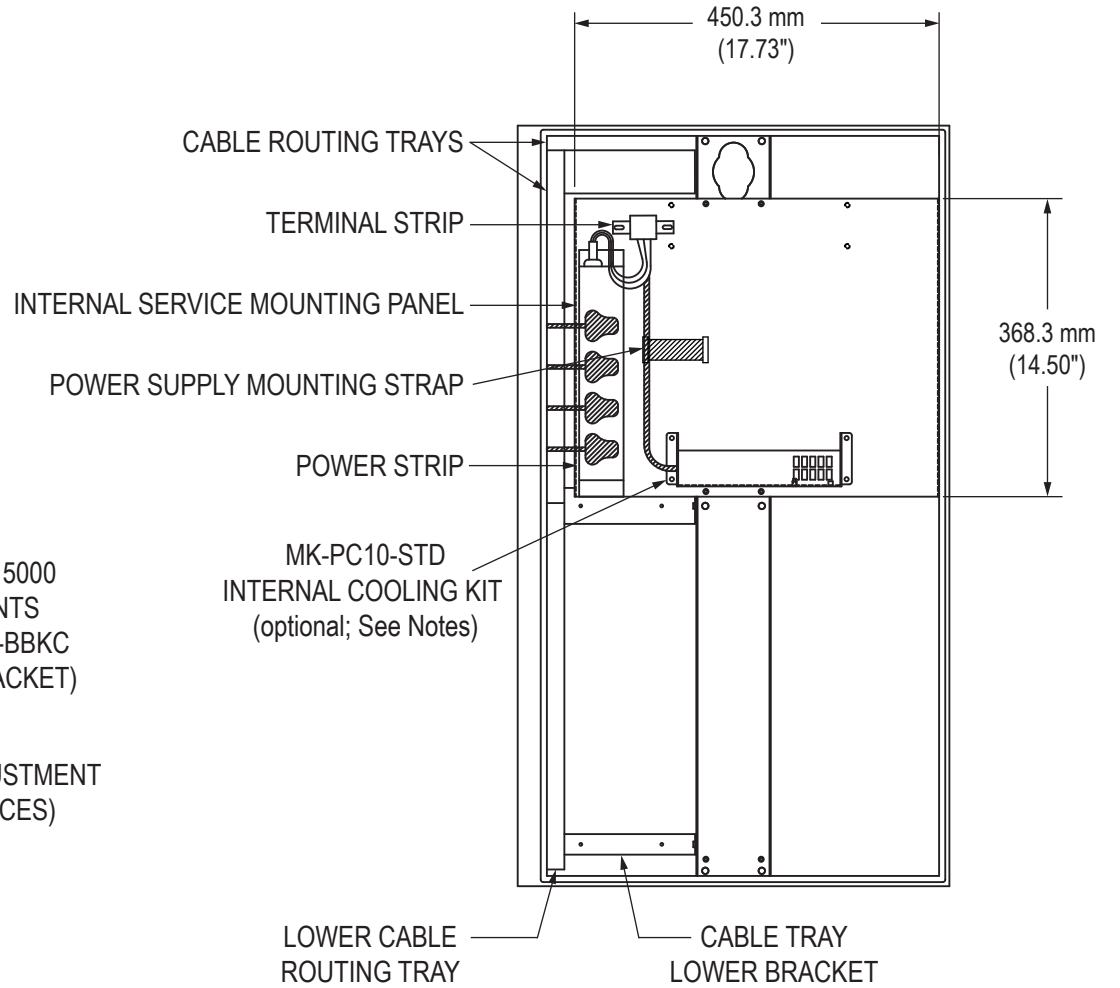
Inside View of Access Door



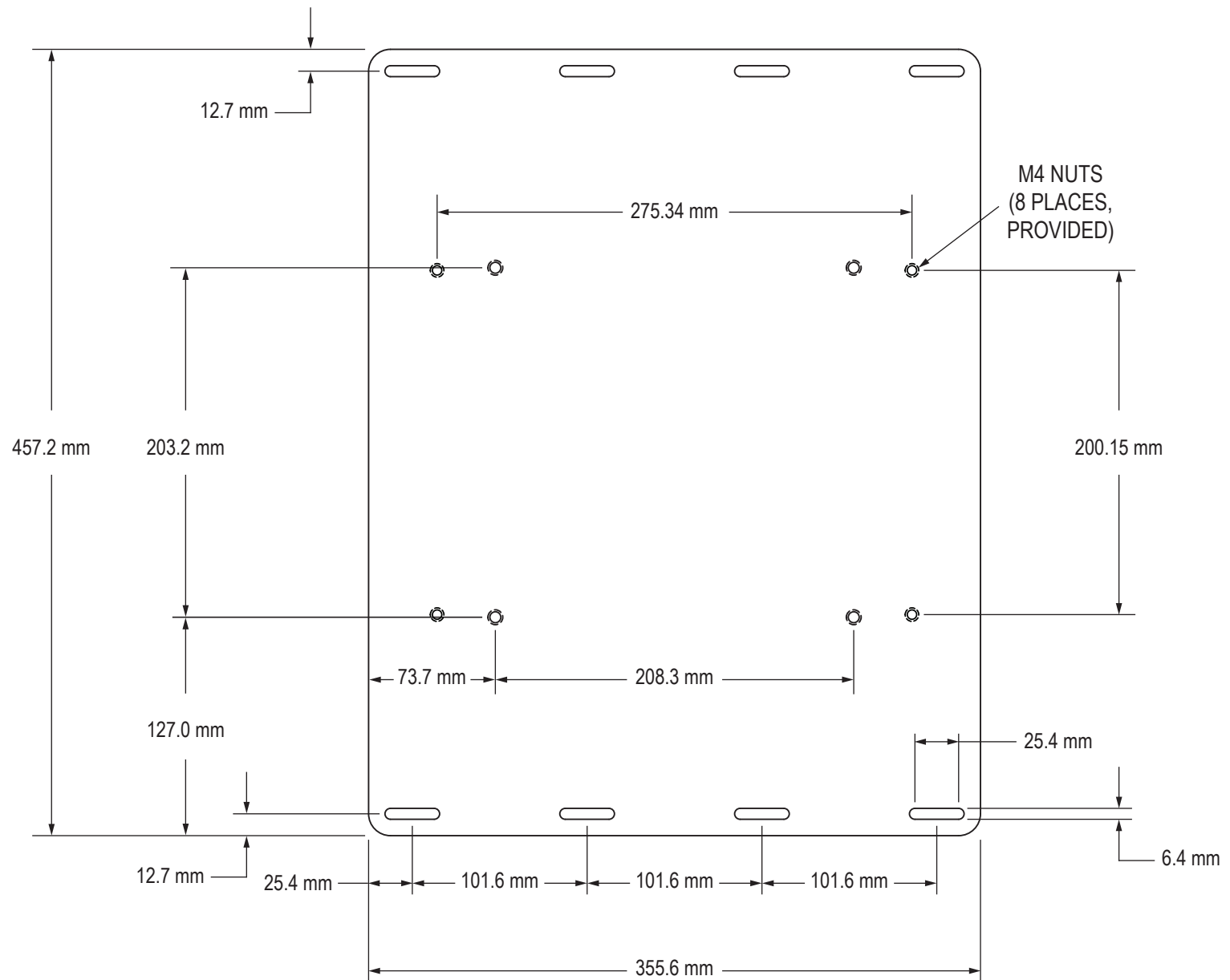
DELL BOX PC 5000
MOUNT POINTS
(USE DELL 575-BBKC
MOUNTING BRACKET)

LEFT/RIGHT ADJUSTMENT
SLOTS (8 PLACES)

Inside View of Enclosure



Close-up showing measurements of Access Door Mounting Bracket

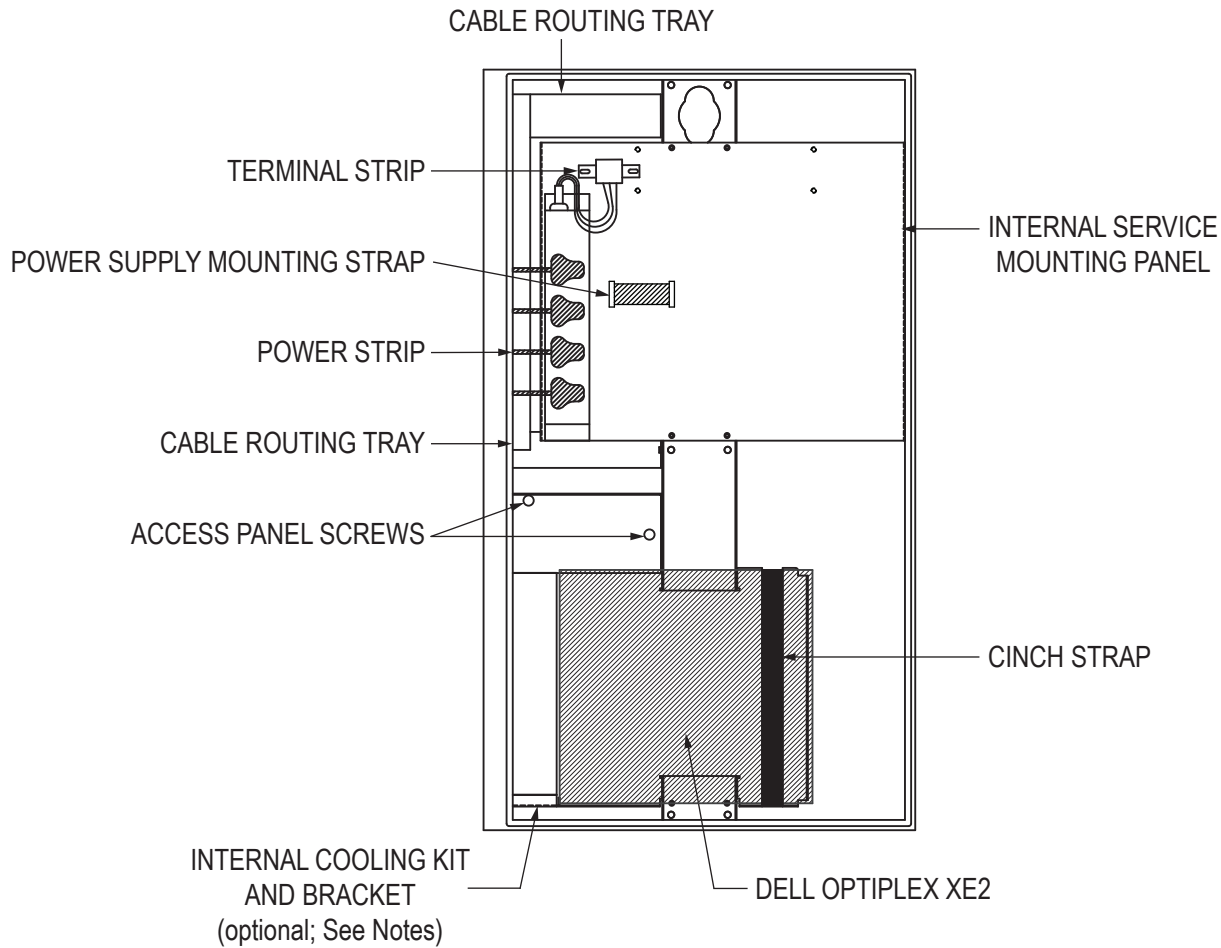


Mechanical Drawing – Commercial / Industrial PC Enclosure



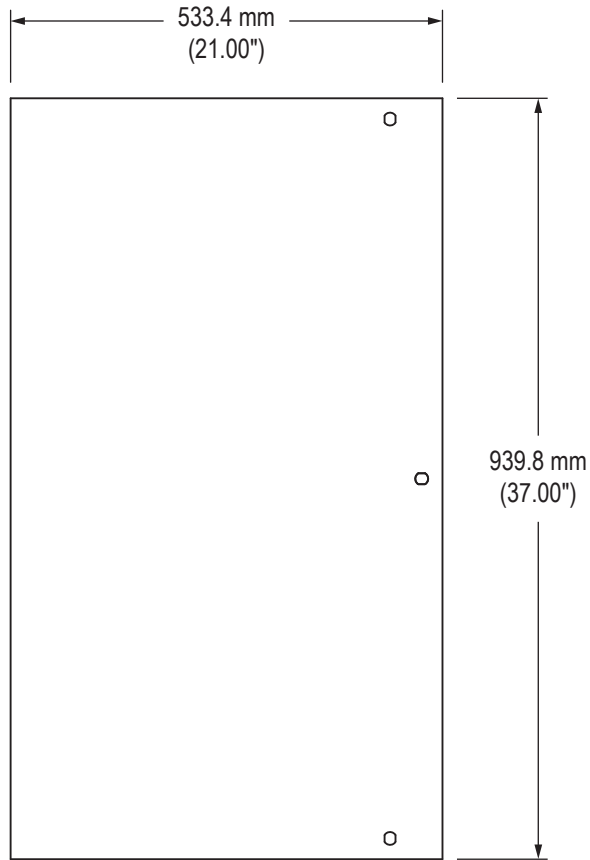
DELL OPTIPLEX XE2 FAN KIT (MK-PC10-DELLXE2)

Inside View of Enclosure

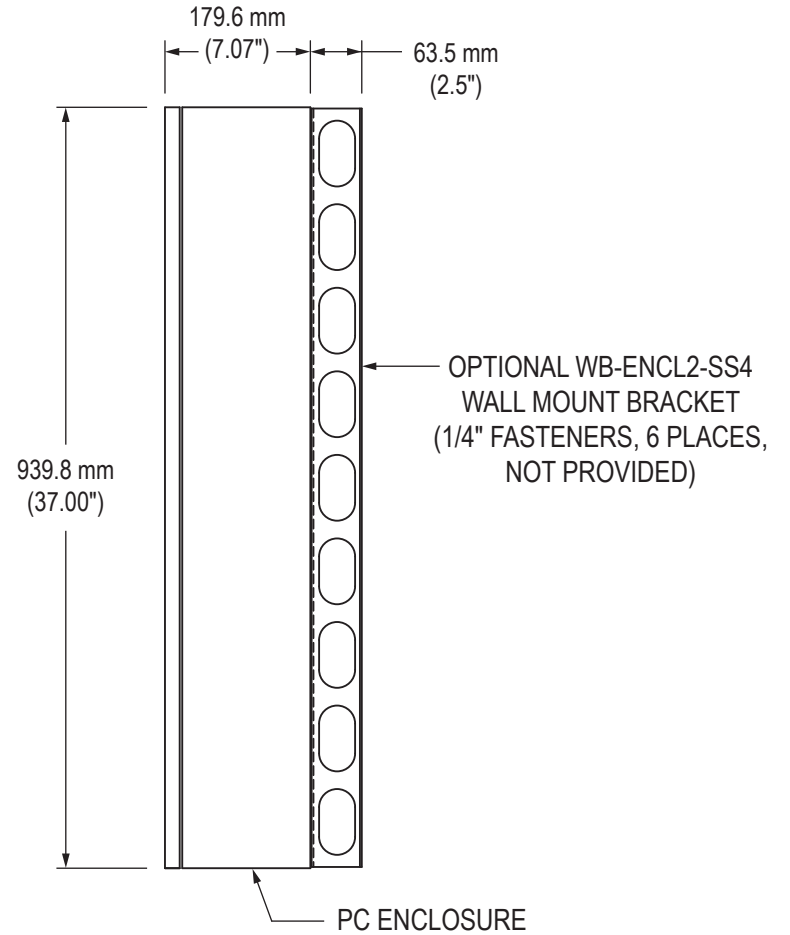


WALL MOUNTING BRACKET

Front View of Enclosure

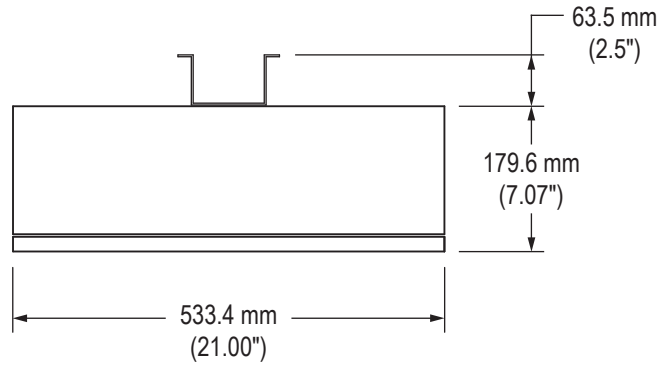


Side View

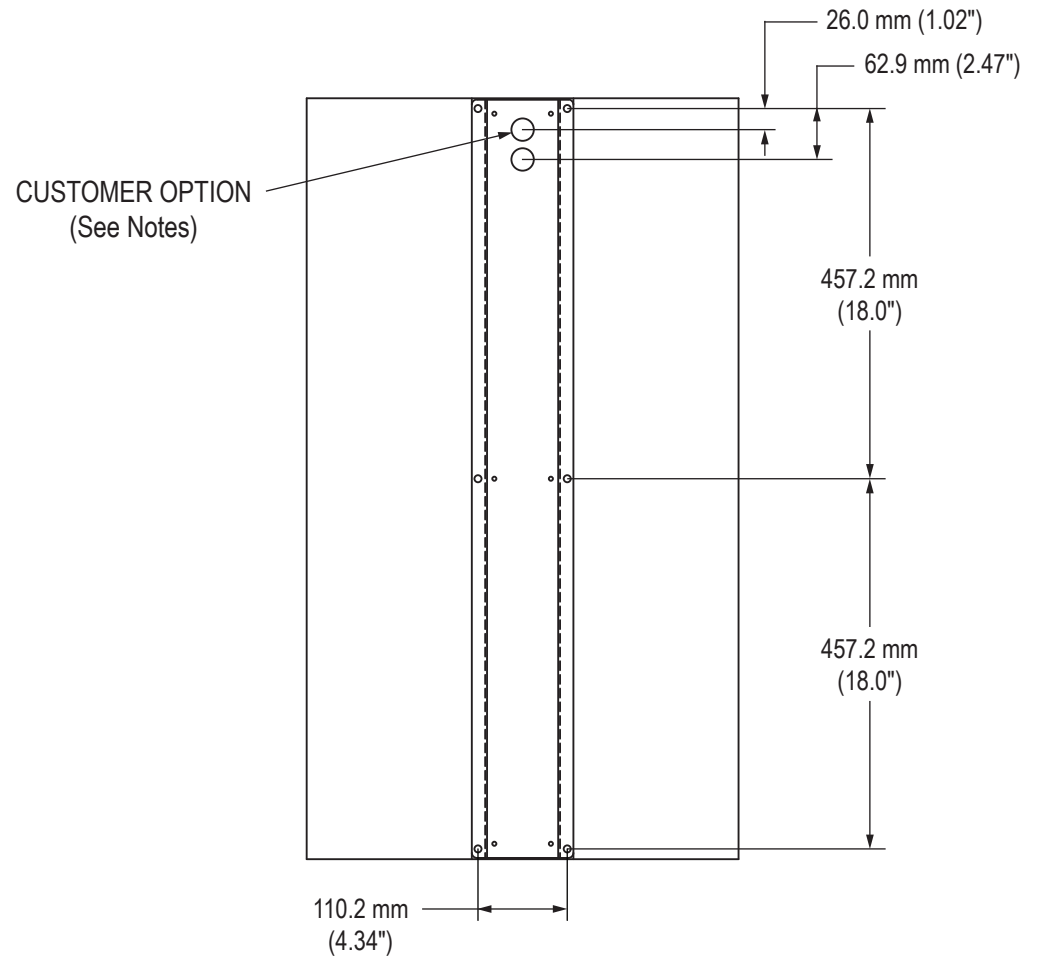


WALL MOUNTING BRACKET

Top View

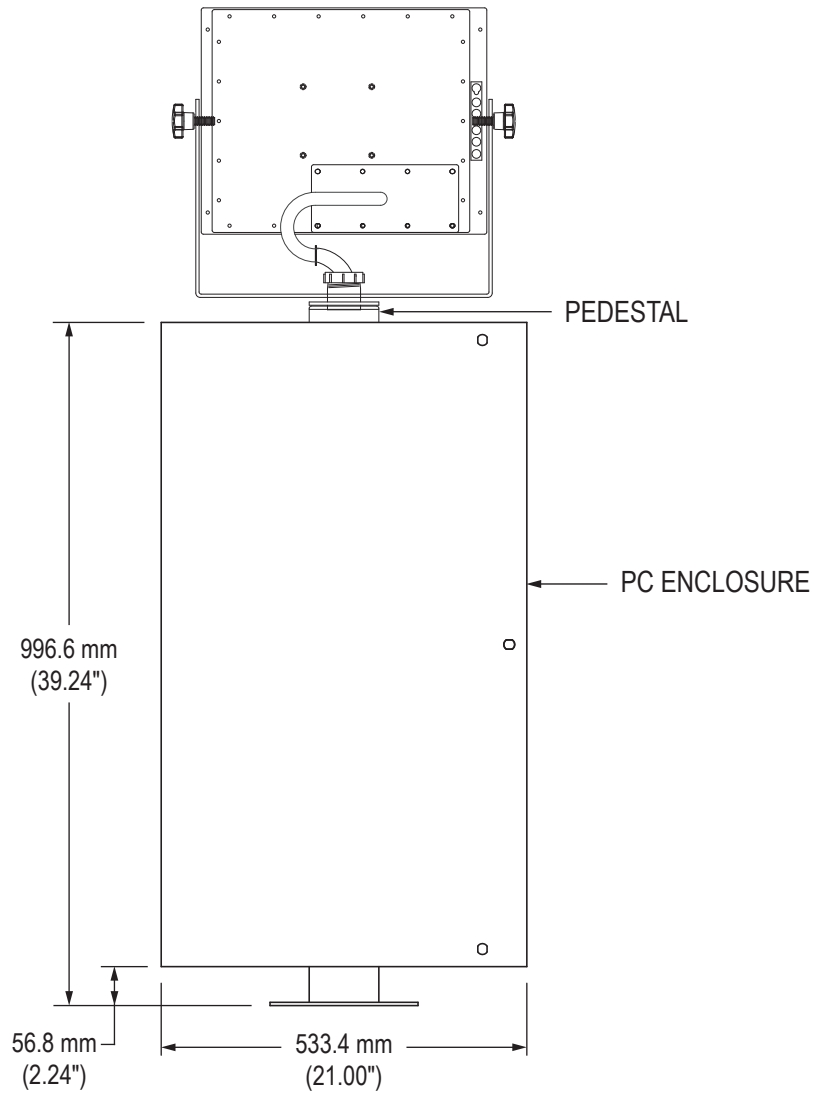


Rear View



MOUNTED ON PED4X4

Rear View



Side View

