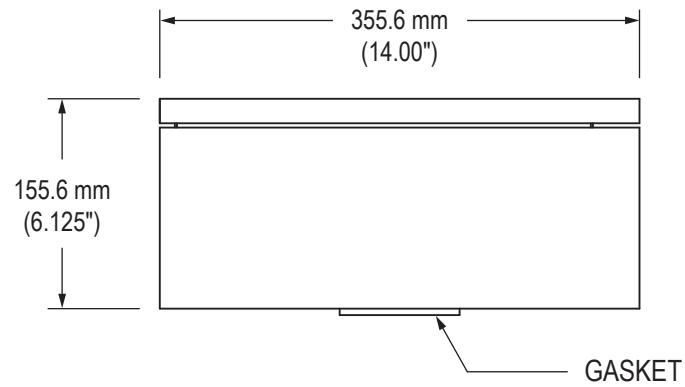
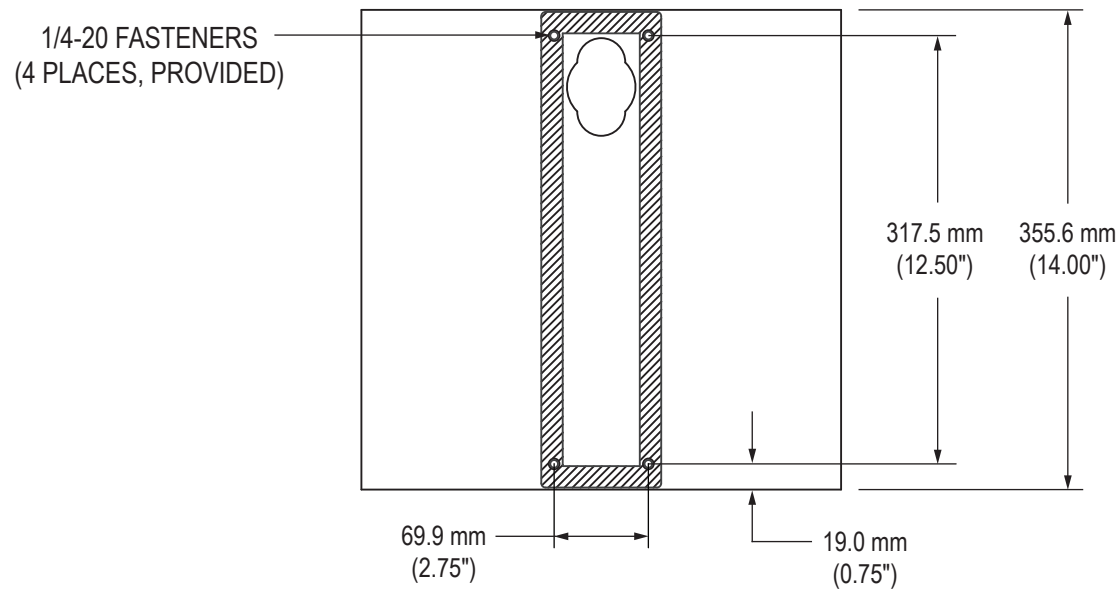


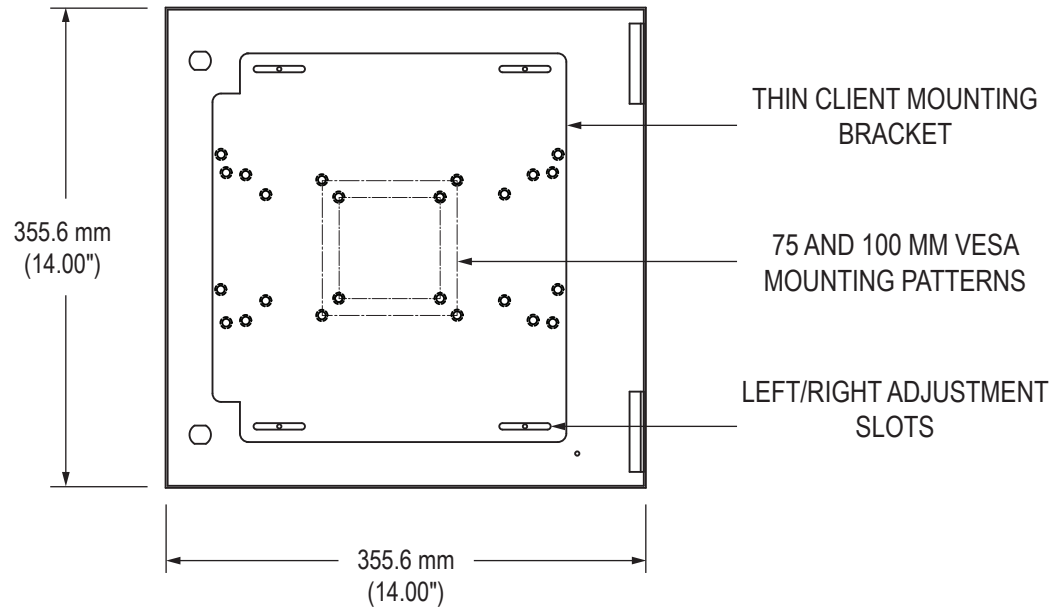
Top View



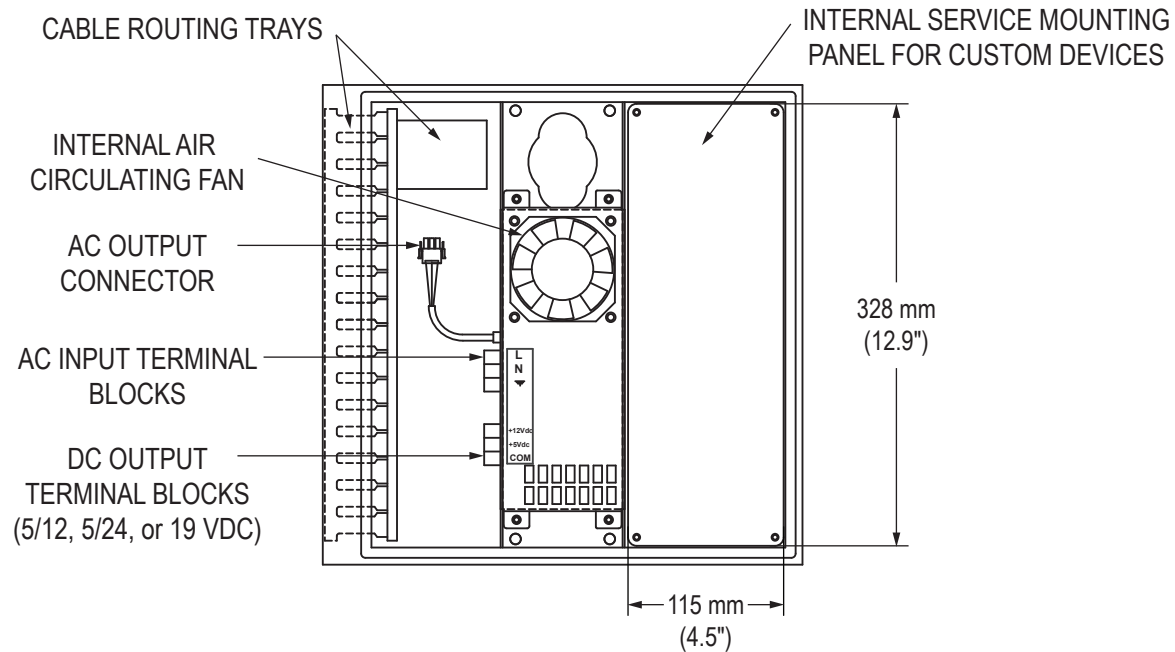
Rear View



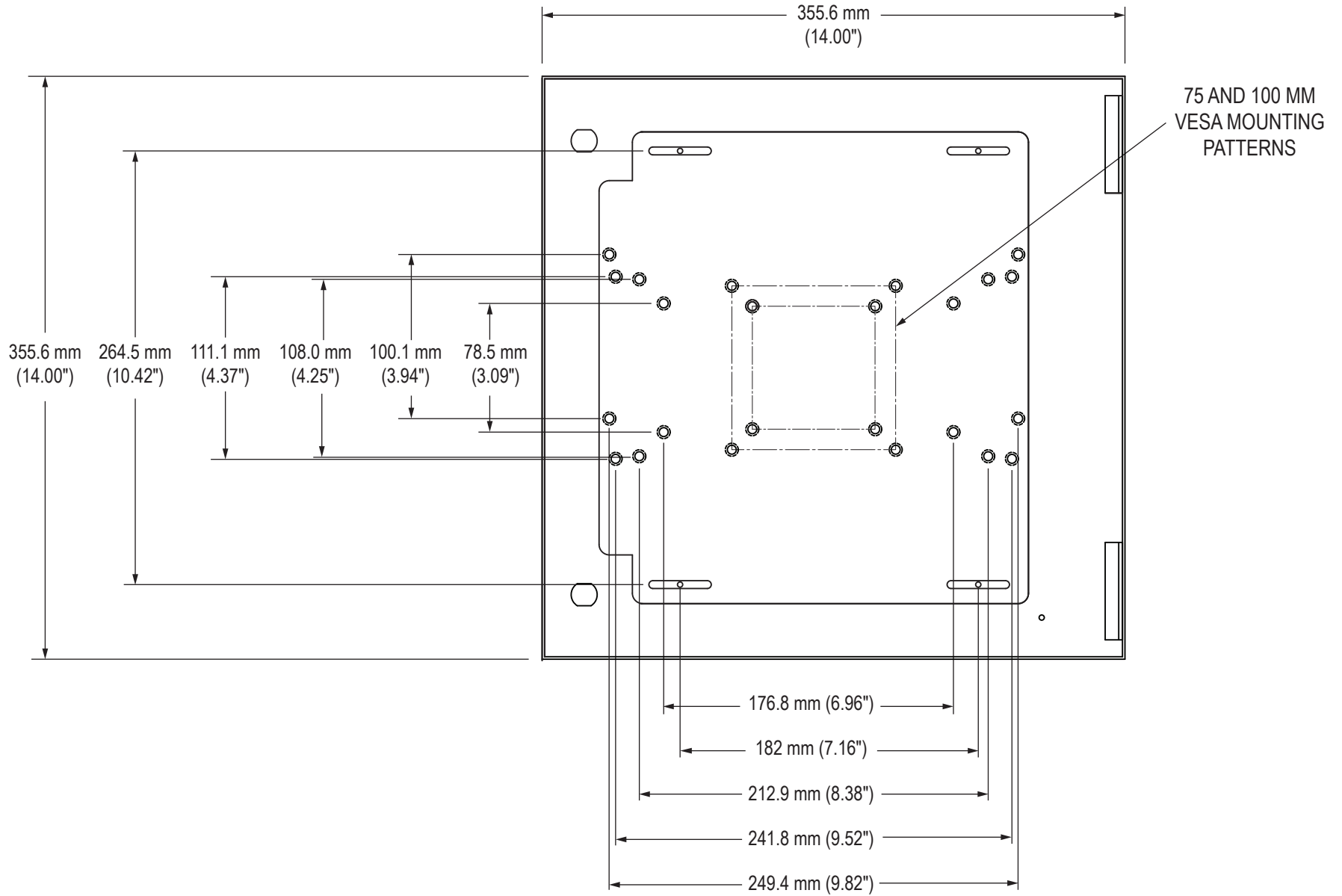
### Inside View of Access Door



### Inside View of Enclosure



# Close-up of Access Door (showing Mounting Bracket measurements)

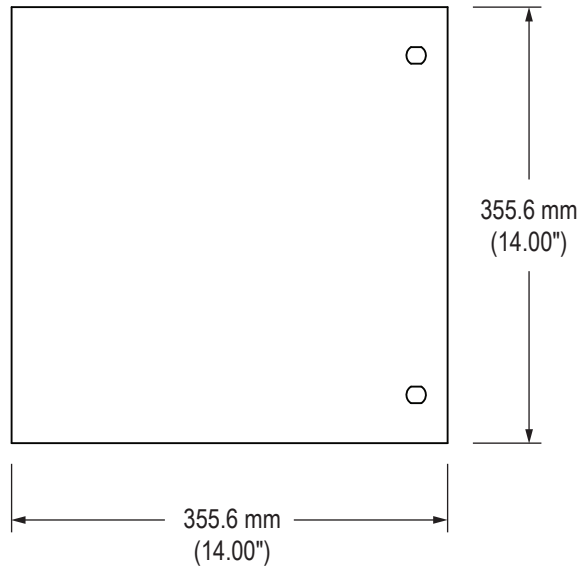


Mechanical Drawing – Thin Client / Small PC Enclosure

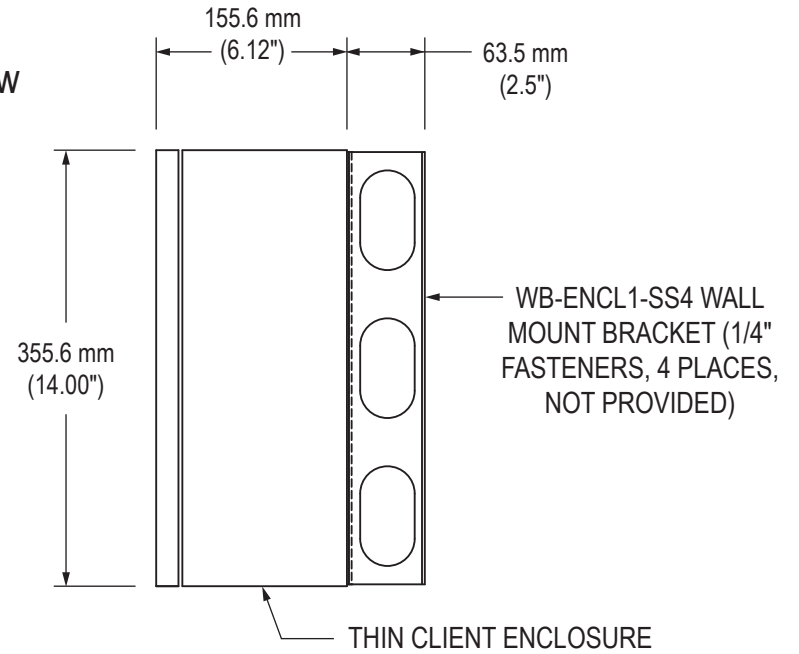


# WALL MOUNTING BRACKET

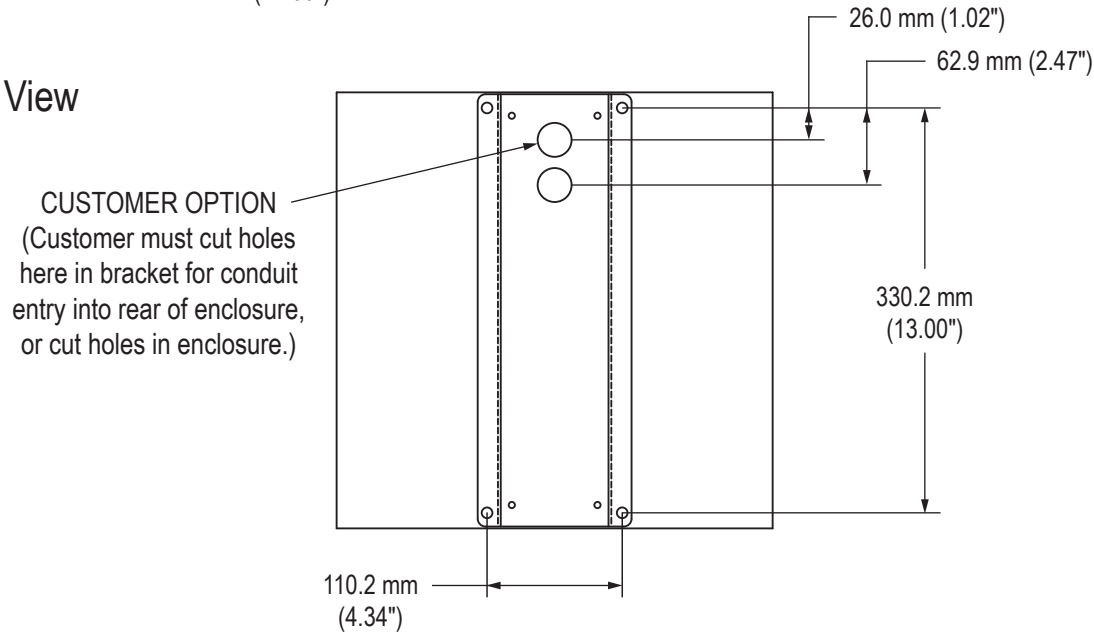
Front View of Enclosure



Side View

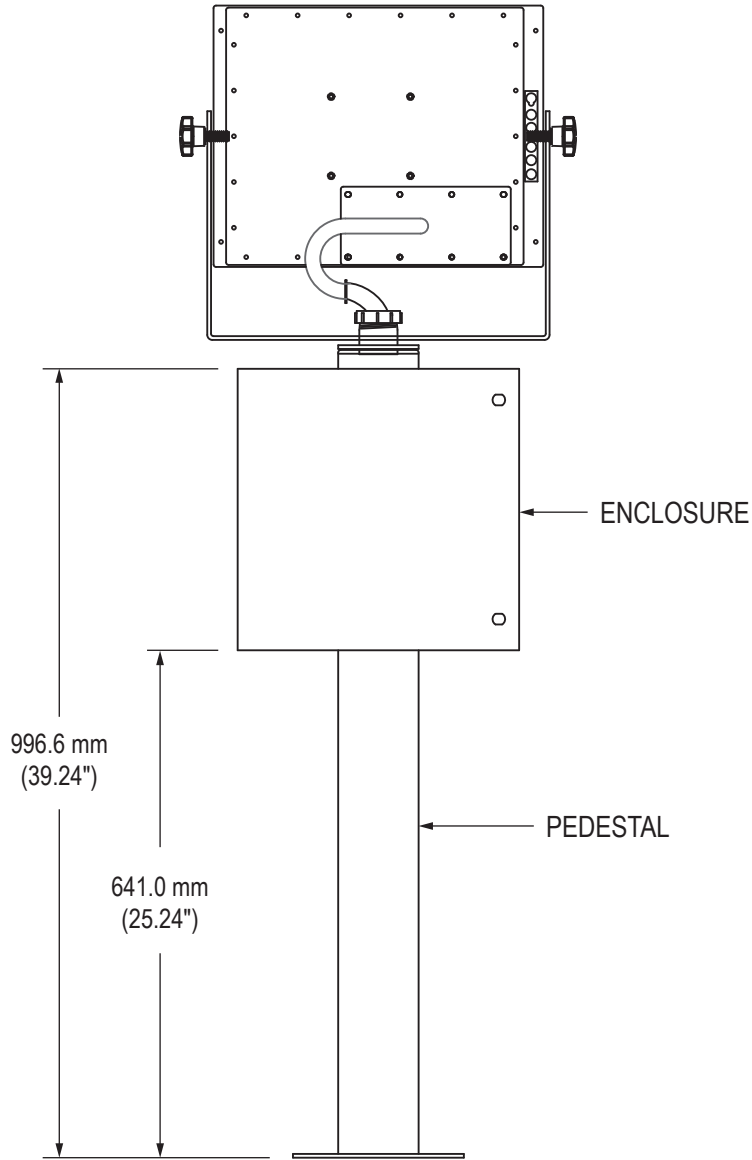


Rear View

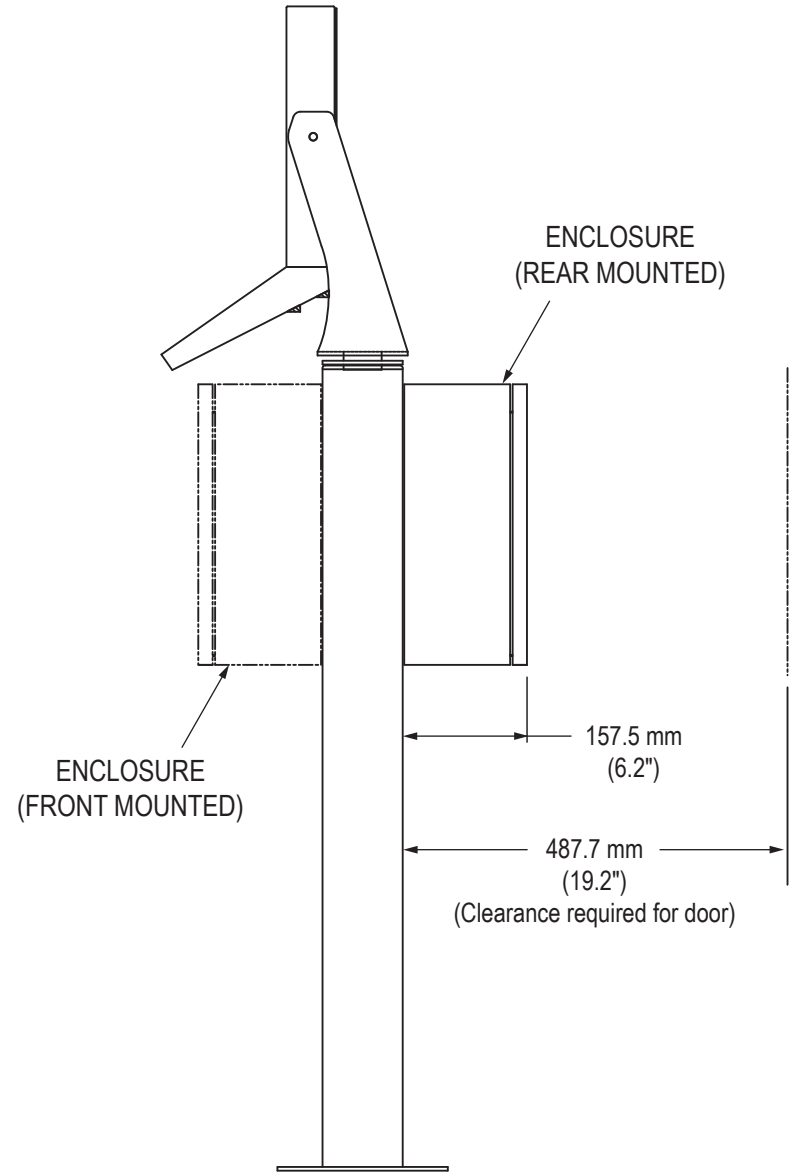


# MOUNTED ON PED4X4

## Rear View



## Side View



Mechanical Drawing – Thin Client / Small PC Enclosure

