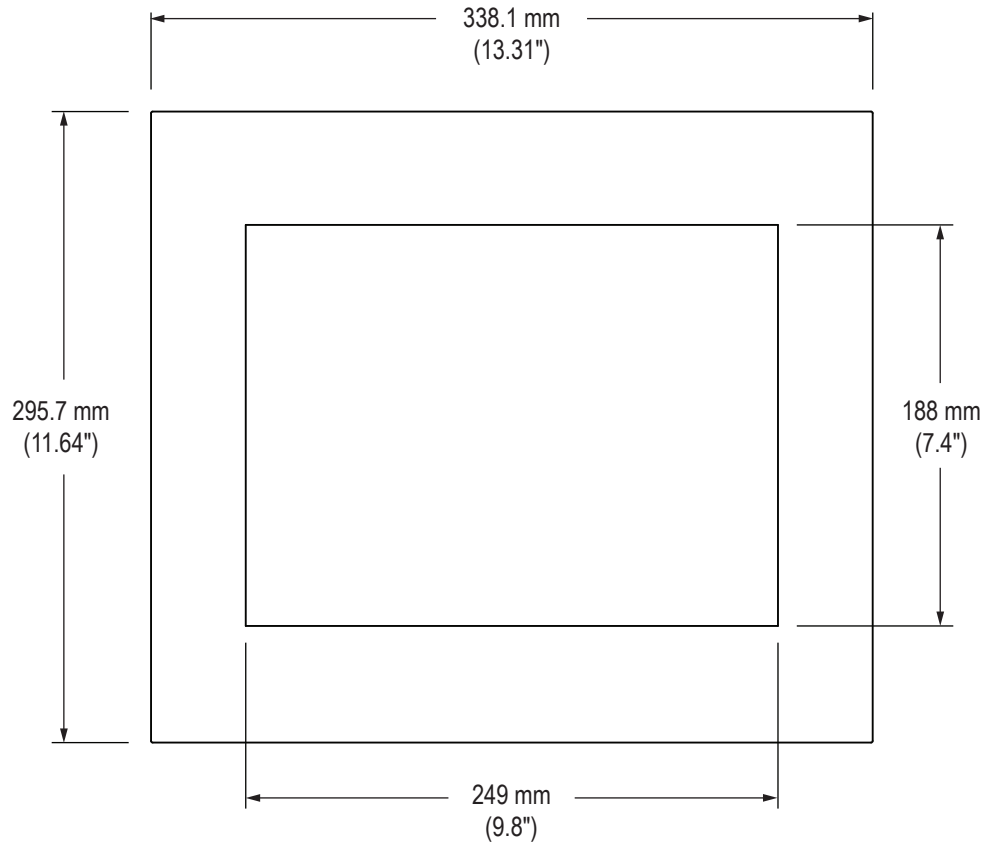
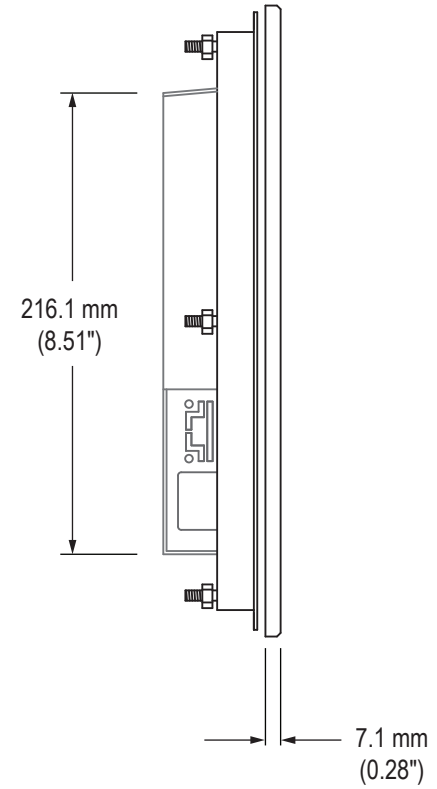


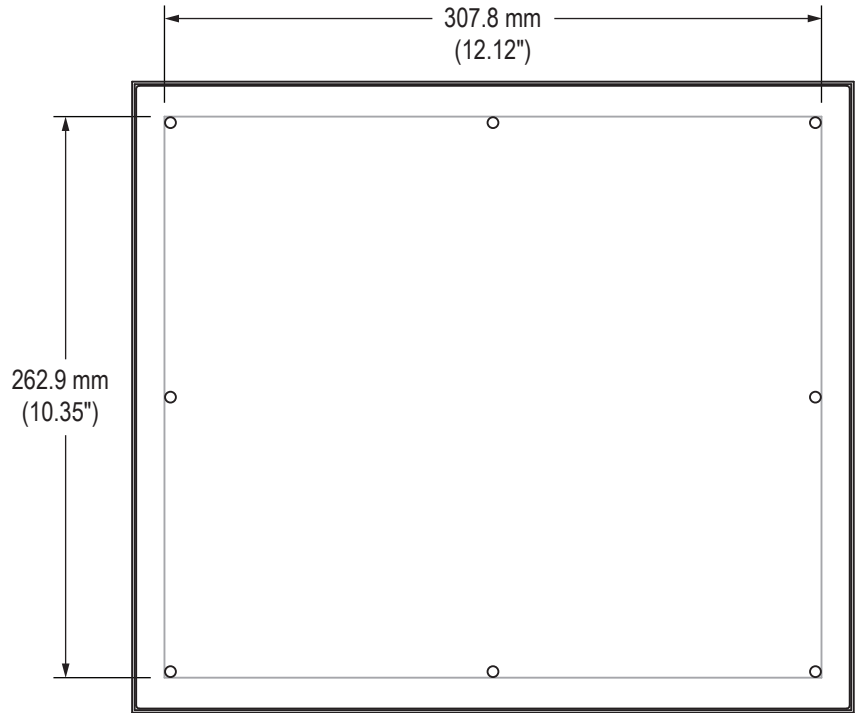
Front View



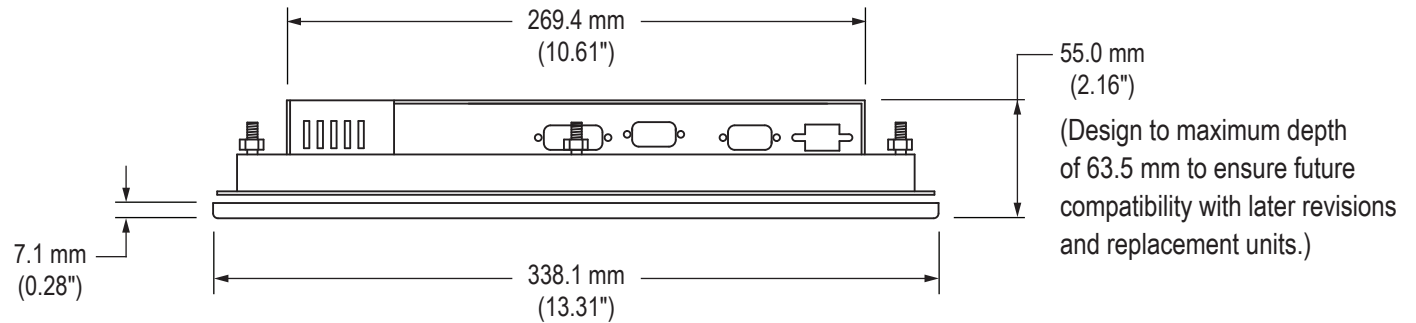
Side View



### Rear View (showing Cutout Dimensions)

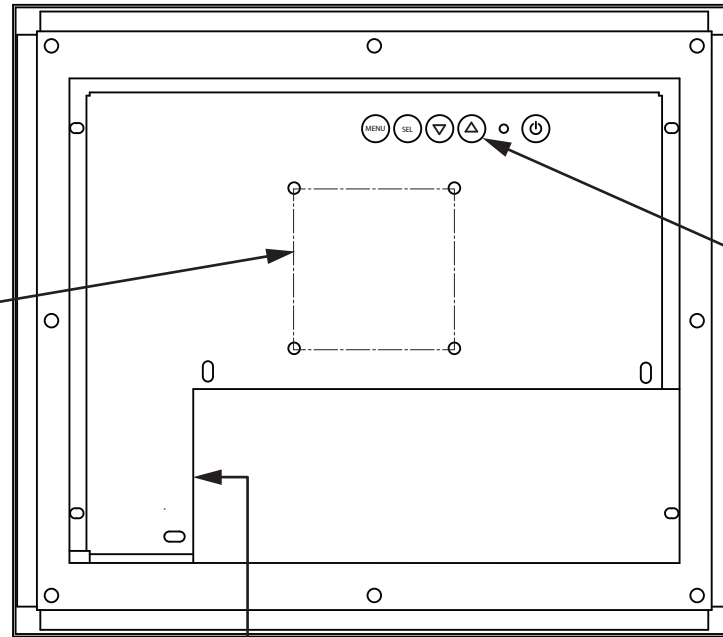


### Bottom View



# Cable Connections

Rear View

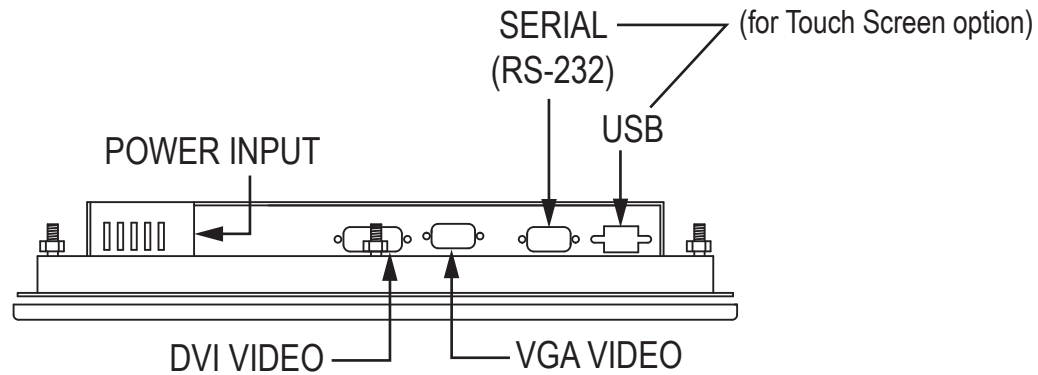


75 mm VESA MOUNTING PATTERN (M4 SCREWS PROVIDED, 16 mm MAXIMUM DEPTH OF SCREW)

CONTROL PANEL BUTTONS

POWER INPUT

Bottom View



POWER INPUT

SERIAL (RS-232) (for Touch Screen option)

USB

DVI VIDEO

VGA VIDEO