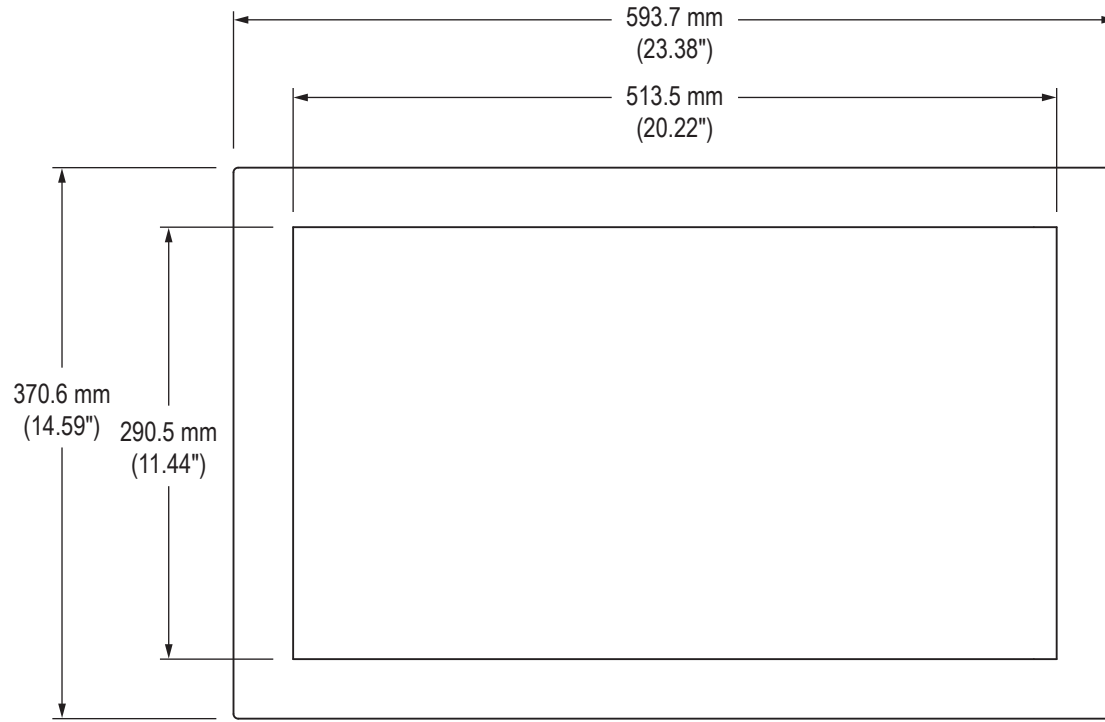
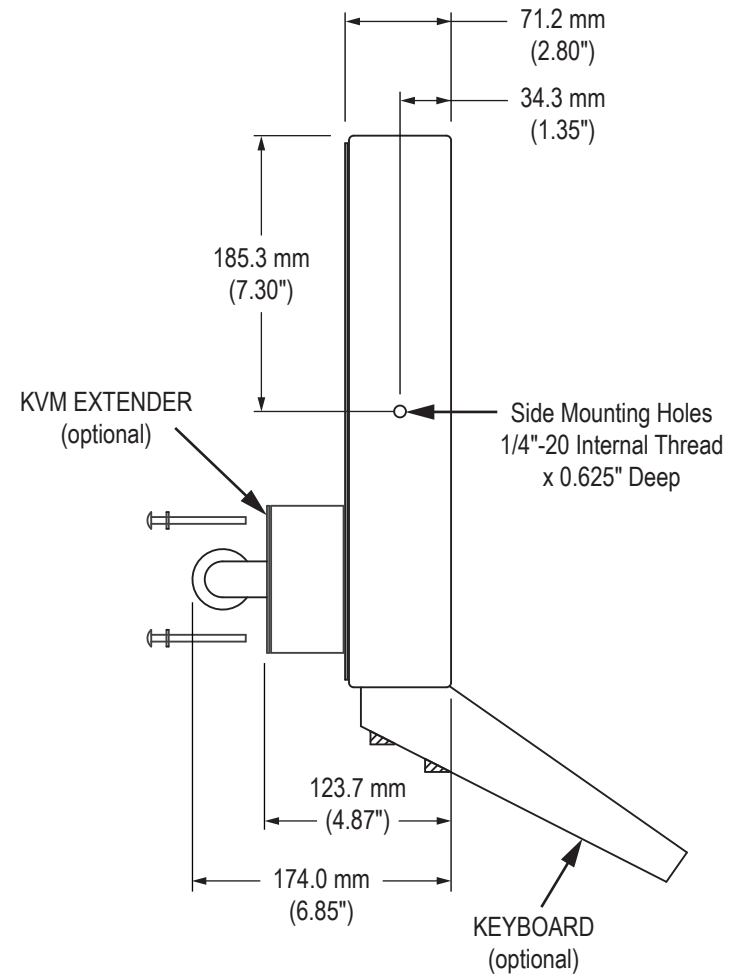


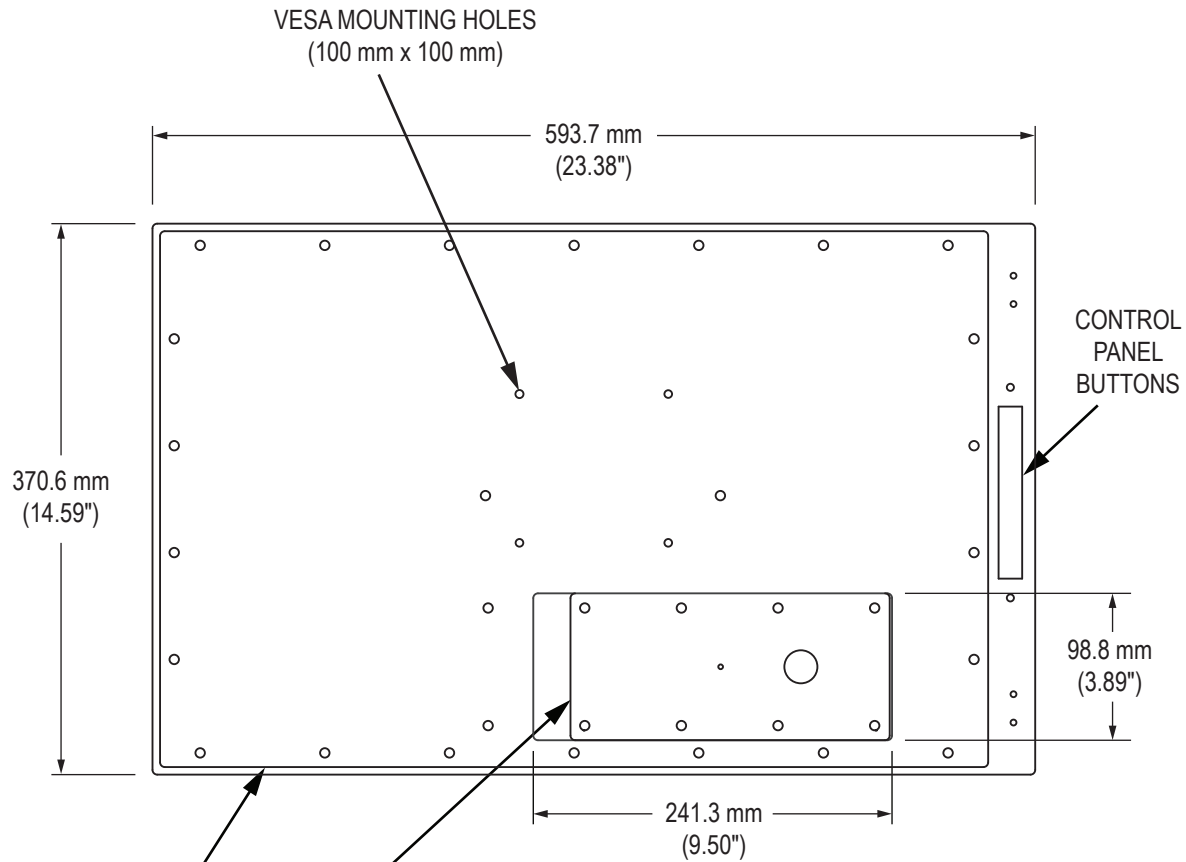
Front View



Side View



Rear View



CABLE ENTRY (4 Models):
 NEMA 2, 12/4, or 12/4/4X Compression Gland
 NEMA 12/4 or 12/4/4X Conduit Cable Exit
 NEMA 12/4 or 12/4/4X PermaGland
 NEMA 12/4 or 12/4/4X Cover Plate with Pilot Hole

