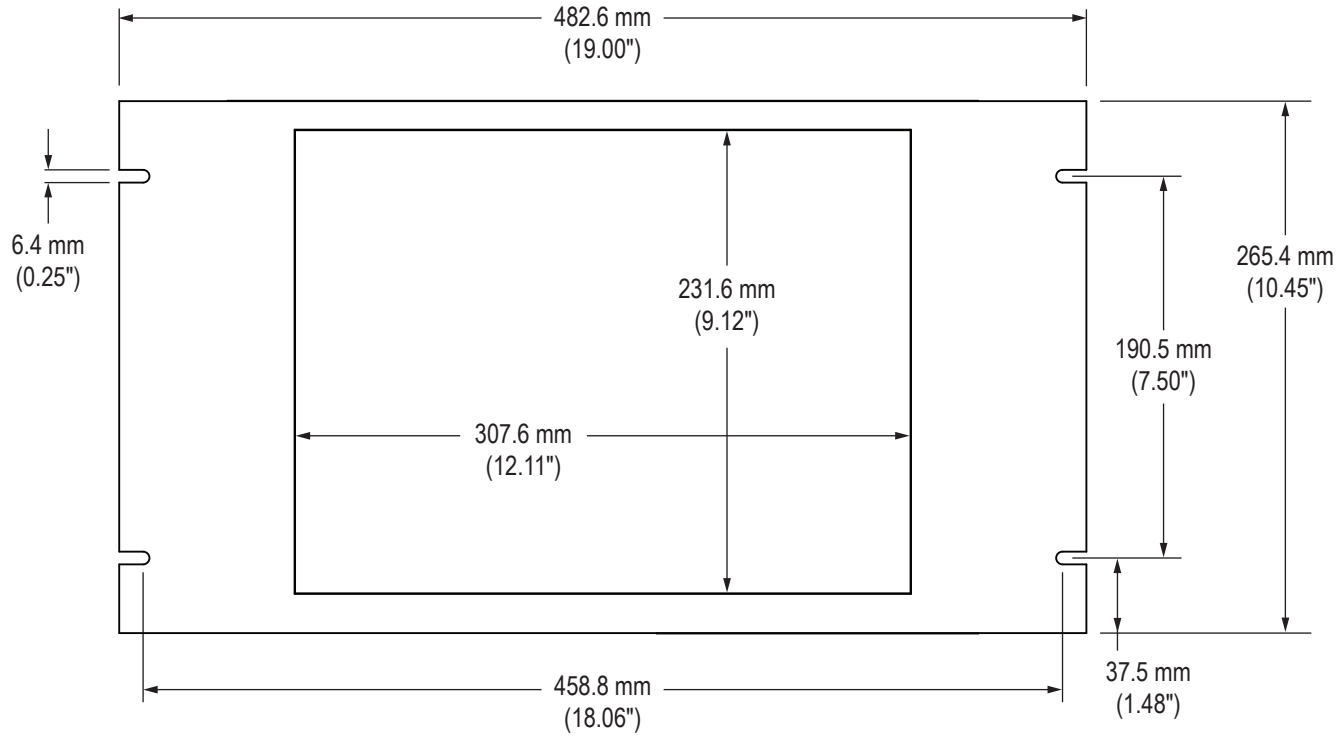
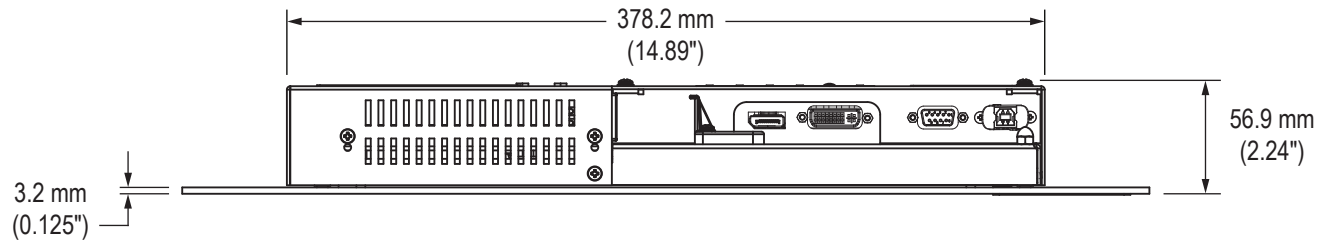


HIS-RL15-CTxx, -CGxx, and -CAxx Models

Front View



Bottom View



Mechanical Drawing – 15" Rack Mount Monitor



Hope Industrial Systems, Inc.

Toll Free: (877) 762-9790 · International: +1 (678) 762-9790
 UK: +44 (0) 20 7193-2618 · E-mail: support@HopeIndustrial.com

Part Number: HIS-RL15

Revision: I

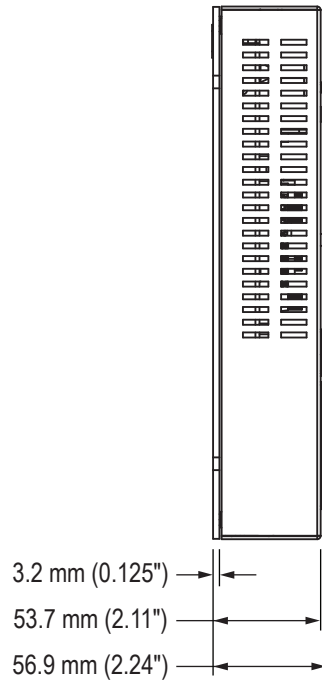
Date: 2024.08.14

Page 1 of 6

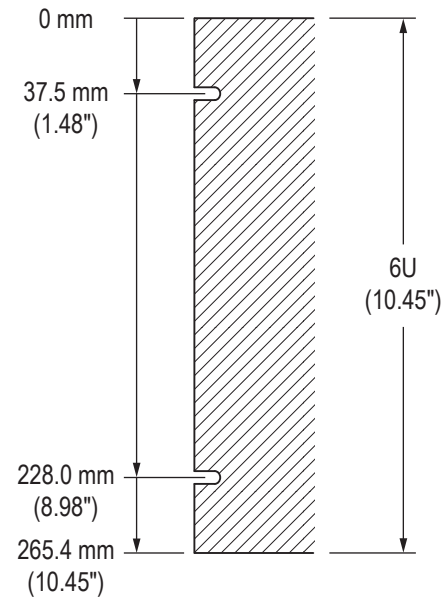
NOTES:

HIS-RL15-CTxx, -CGxx, and -CAxx Models

Side View



Panel Height

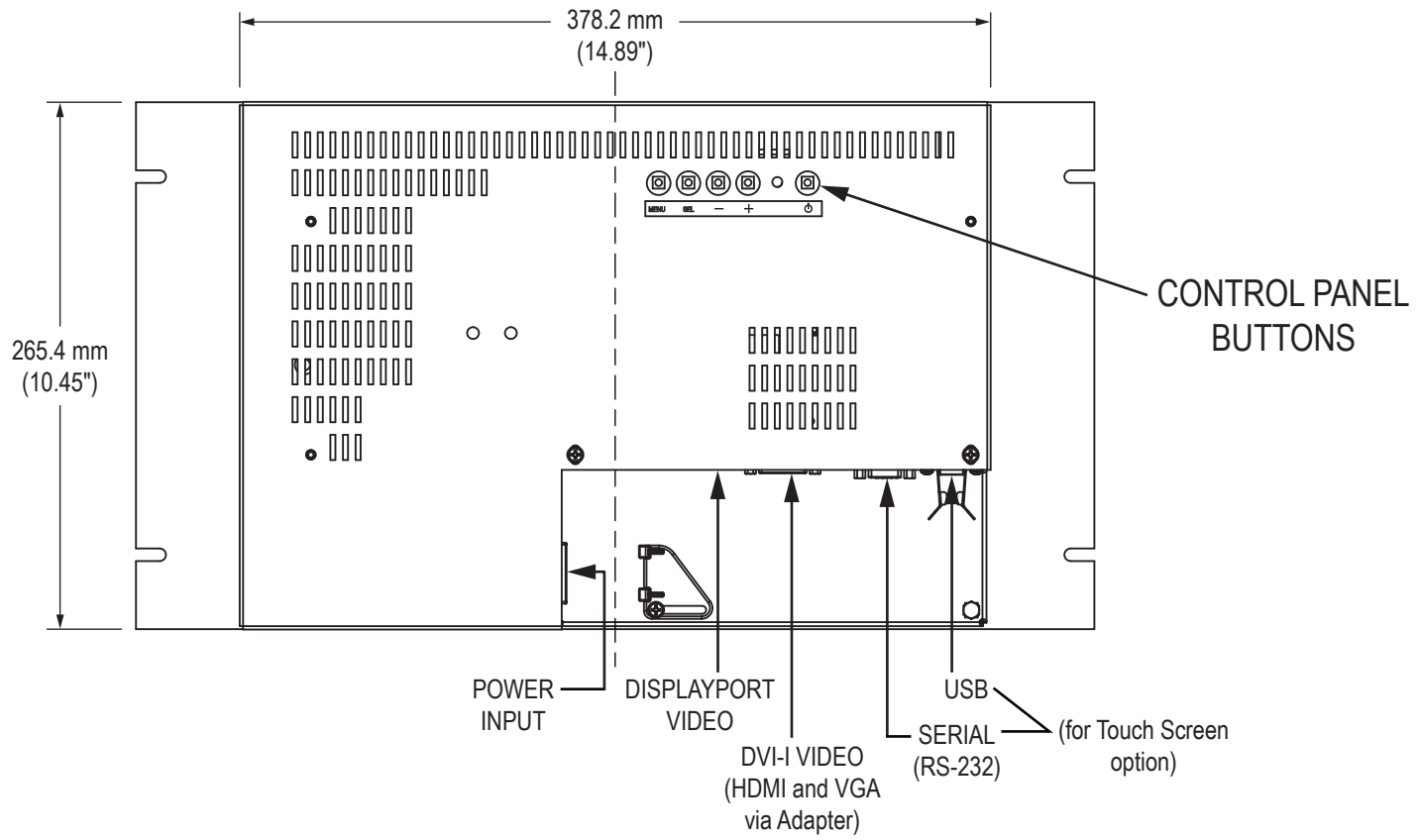


Mechanical Drawing – 15" Rack Mount Monitor

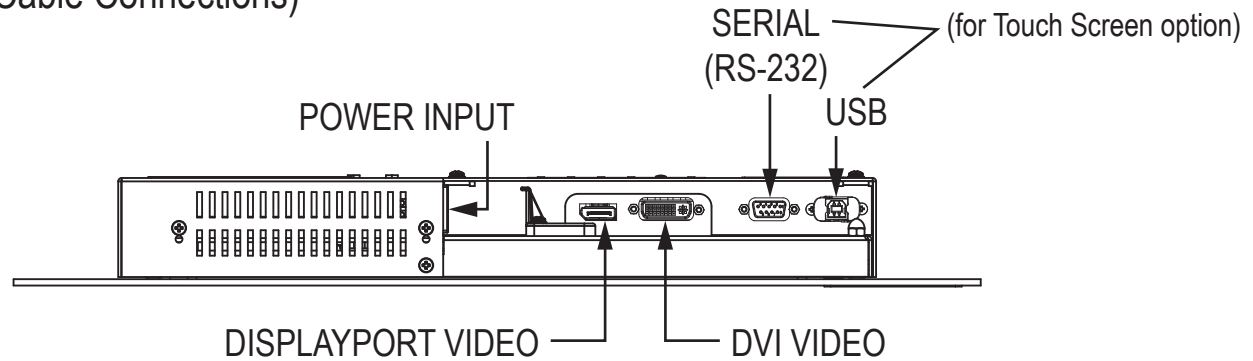


HIS-RL15-CTxx, -CGxx, and -CAxx Models

Rear View



Bottom View (showing Cable Connections)

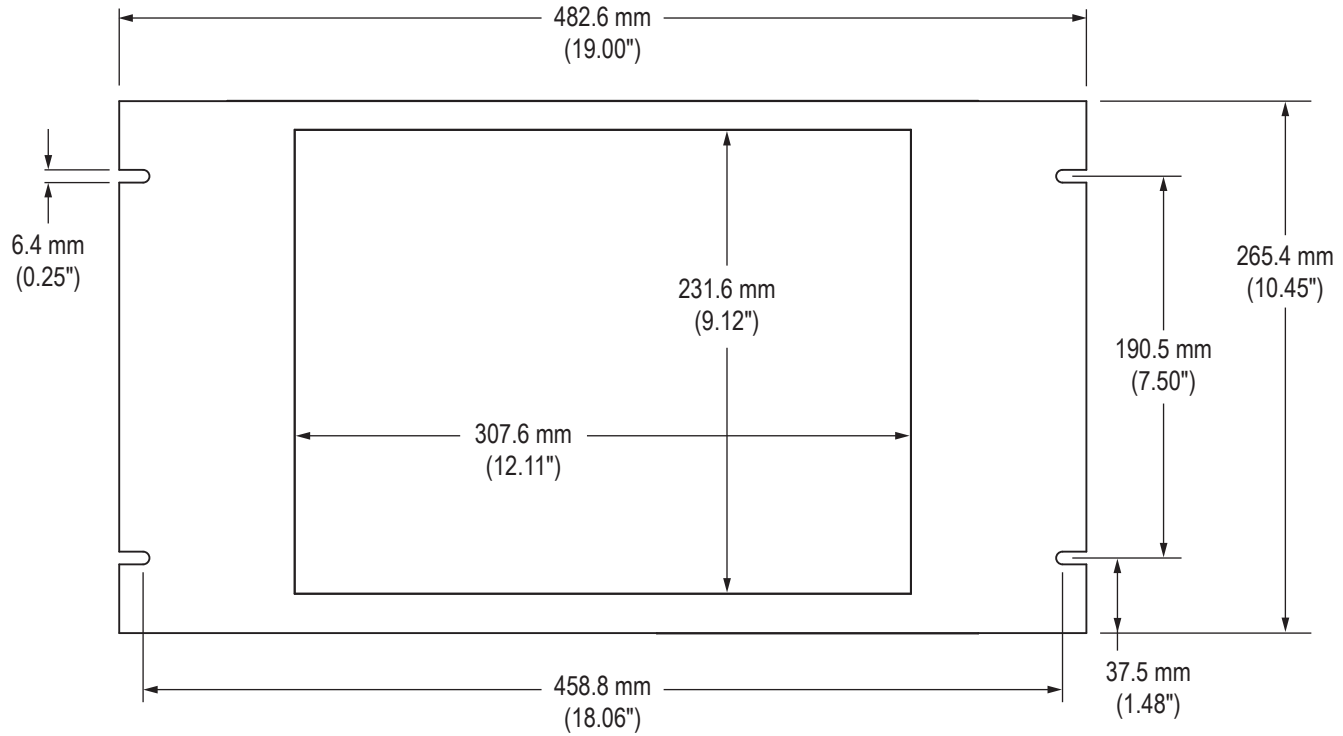


Mechanical Drawing – 15" Rack Mount Monitor

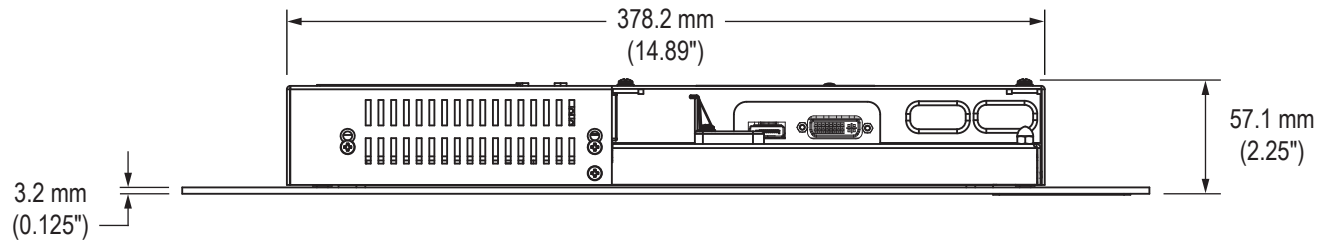


HIS-RL15-CXxx Models

Front View



Bottom View



Mechanical Drawing – 15" Rack Mount Monitor



Hope Industrial Systems, Inc.

Toll Free: (877) 762-9790 · International: +1 (678) 762-9790
 UK: +44 (0) 20 7193-2618 · E-mail: support@HopeIndustrial.com

Part Number: HIS-RL15

Revision: I

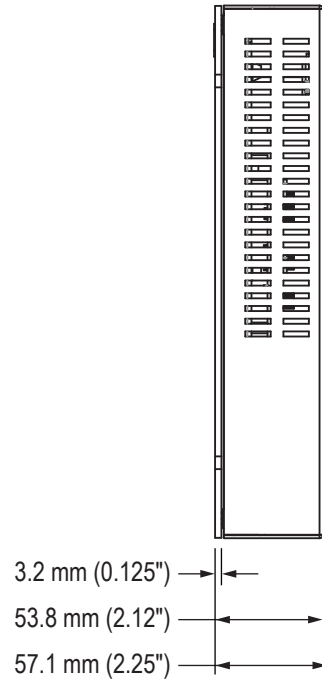
Date: 2024.08.14

Page 4 of 6

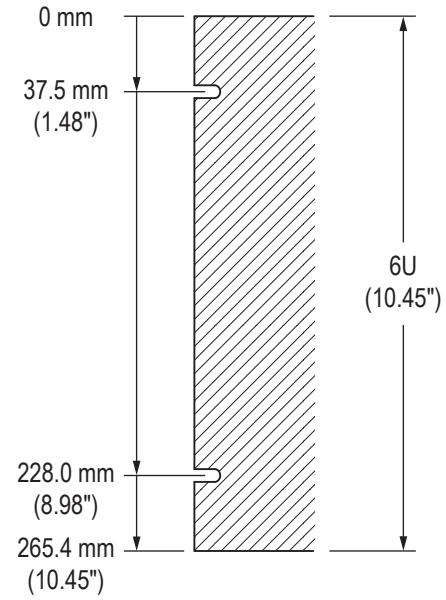
NOTES:

HIS-RL15-CXxx Models

Side View

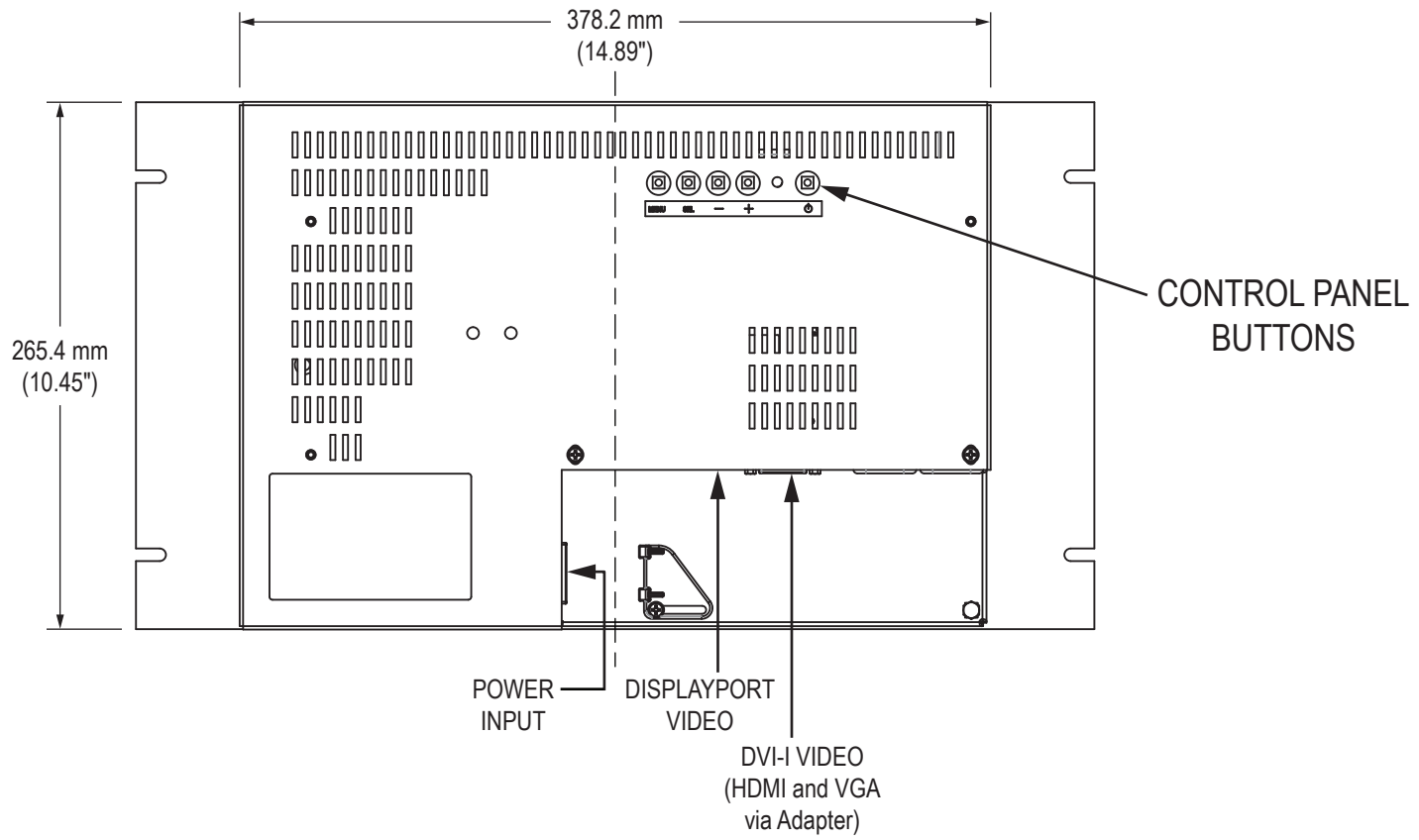


Panel Height



HIS-RL15-CXxx Models

Rear View



Bottom View (showing Cable Connections)

