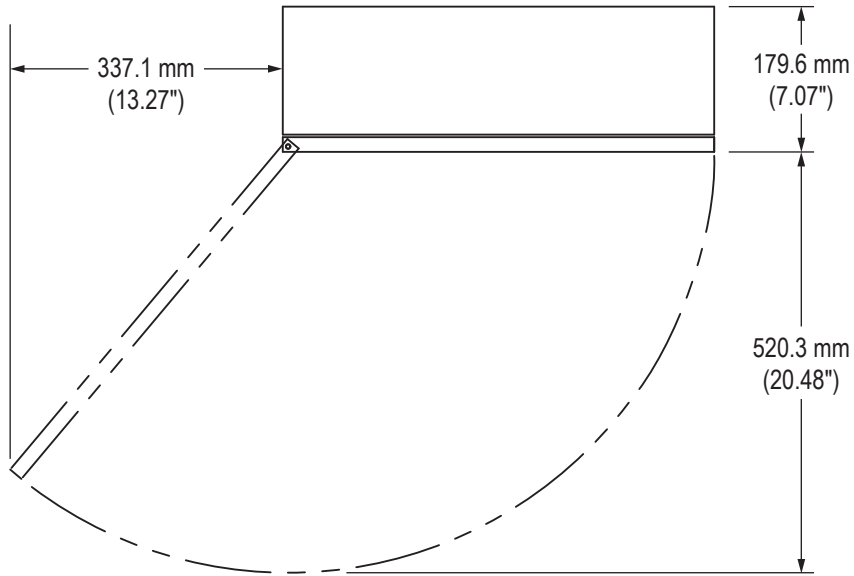
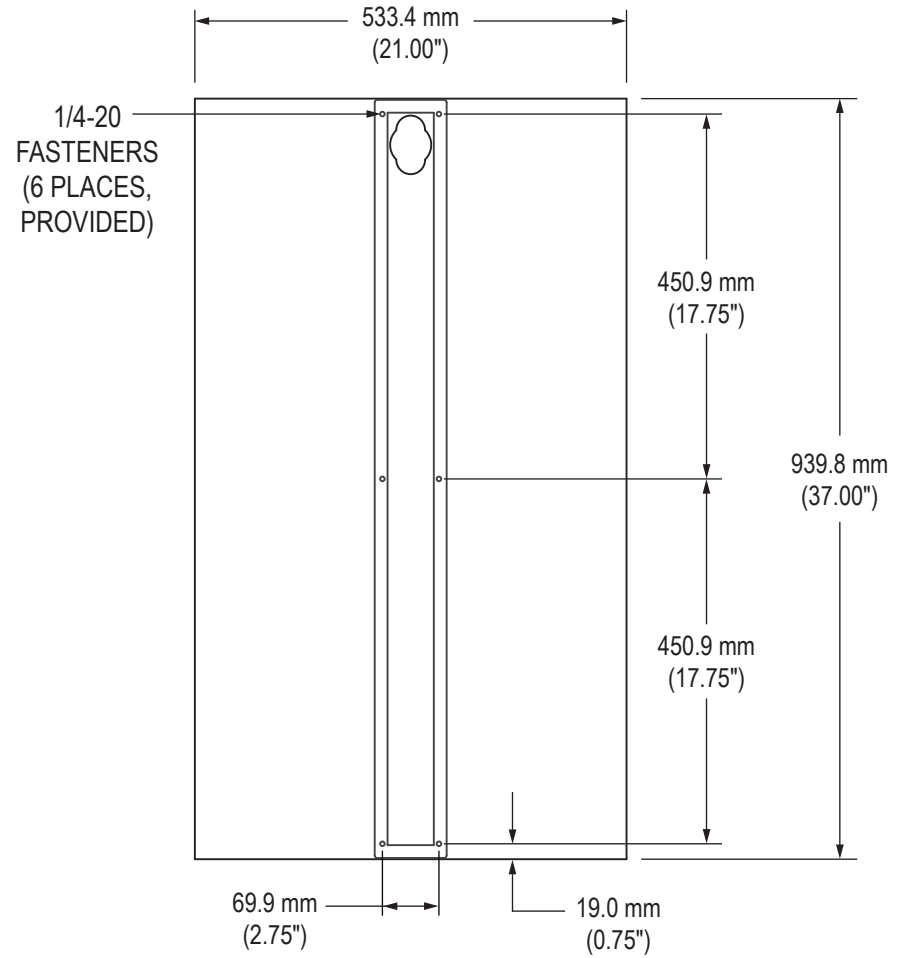


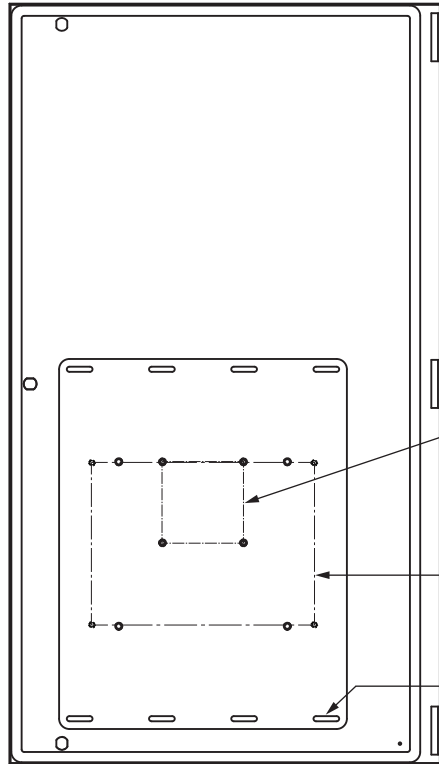
Top View (showing clearance required for door)



Rear View



Inside View of Access Door

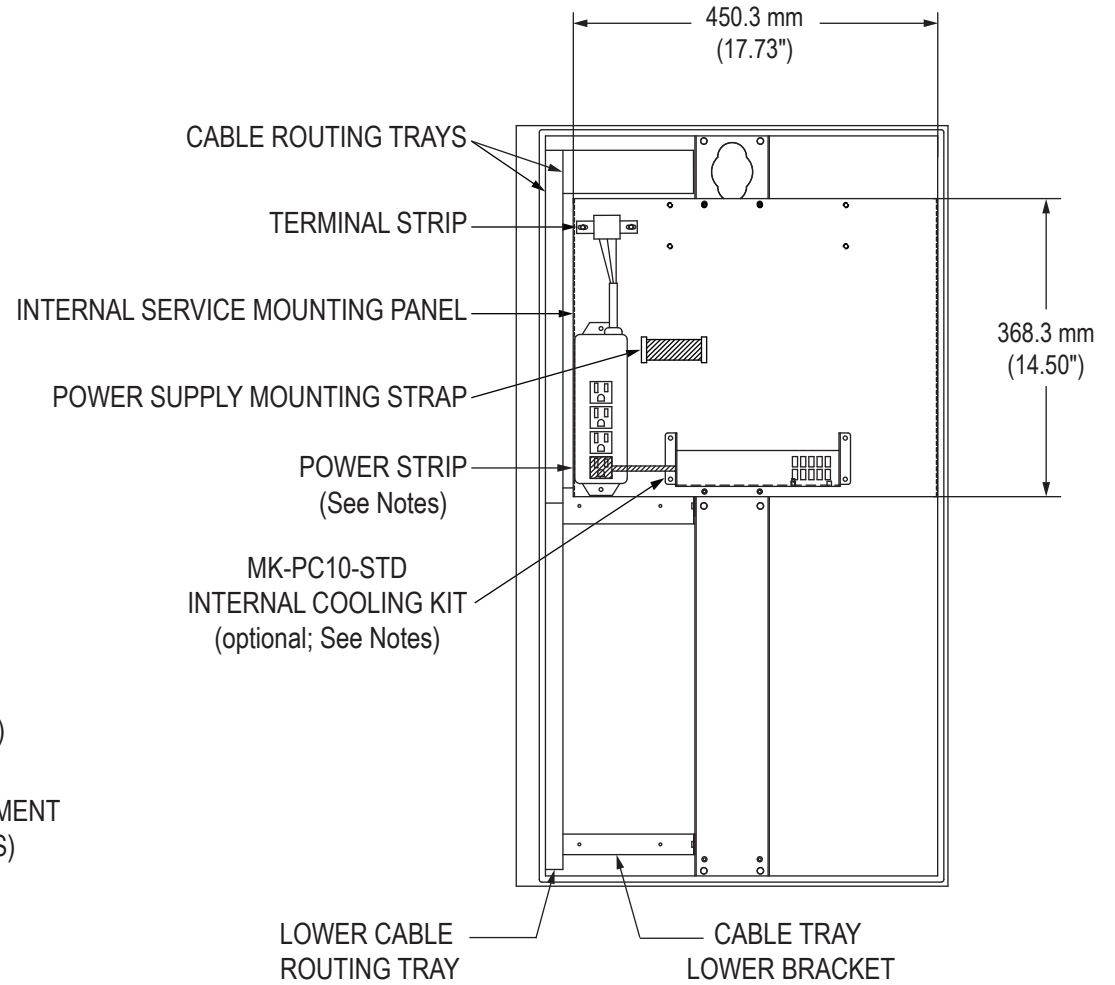


100 mm VESA  
MOUNTING PATTERN

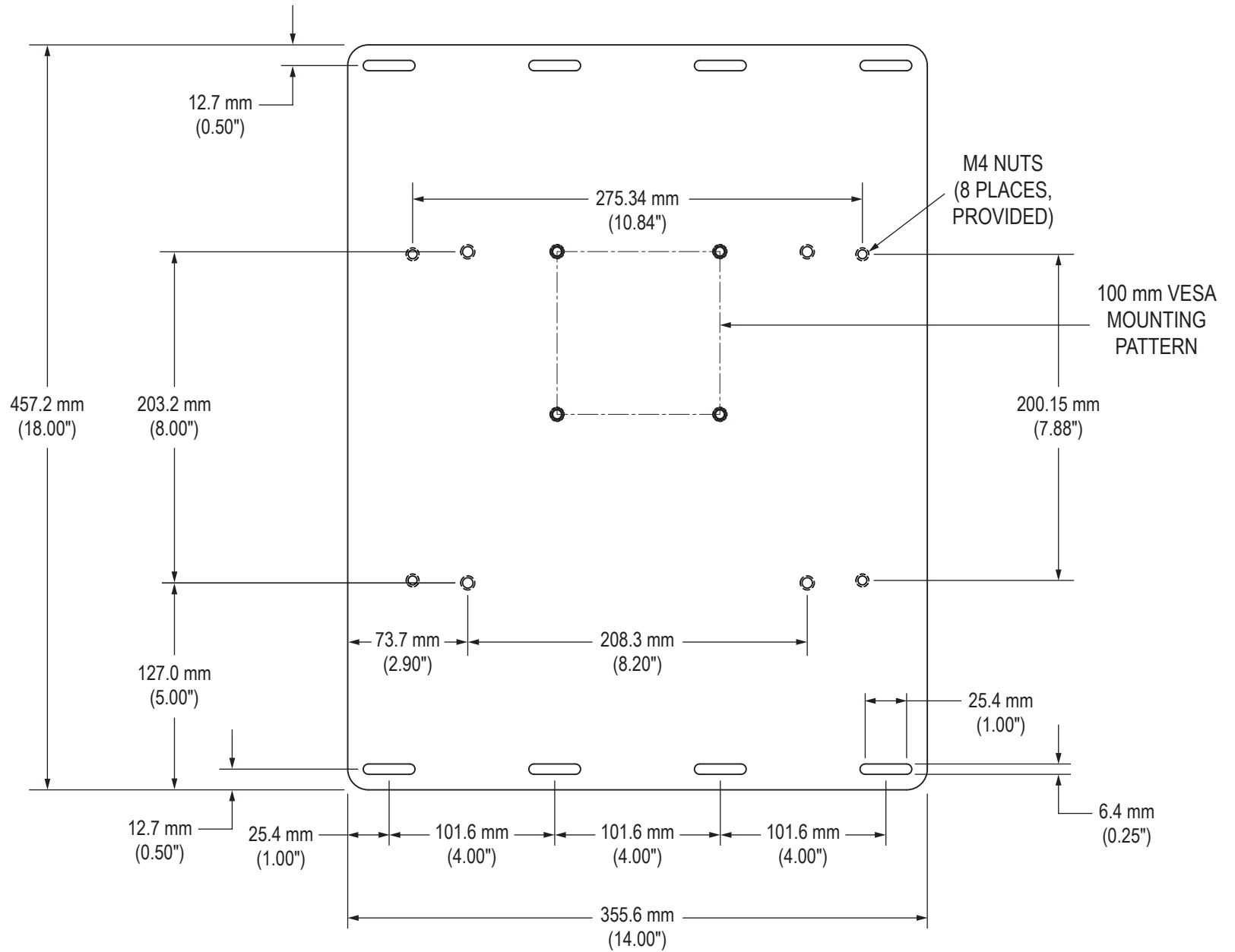
DELL BOX PC 5000  
MOUNT POINTS  
(USE DELL 575-BBKC  
MOUNTING BRACKET)

LEFT/RIGHT ADJUSTMENT  
SLOTS (8 PLACES)

Inside View of Enclosure

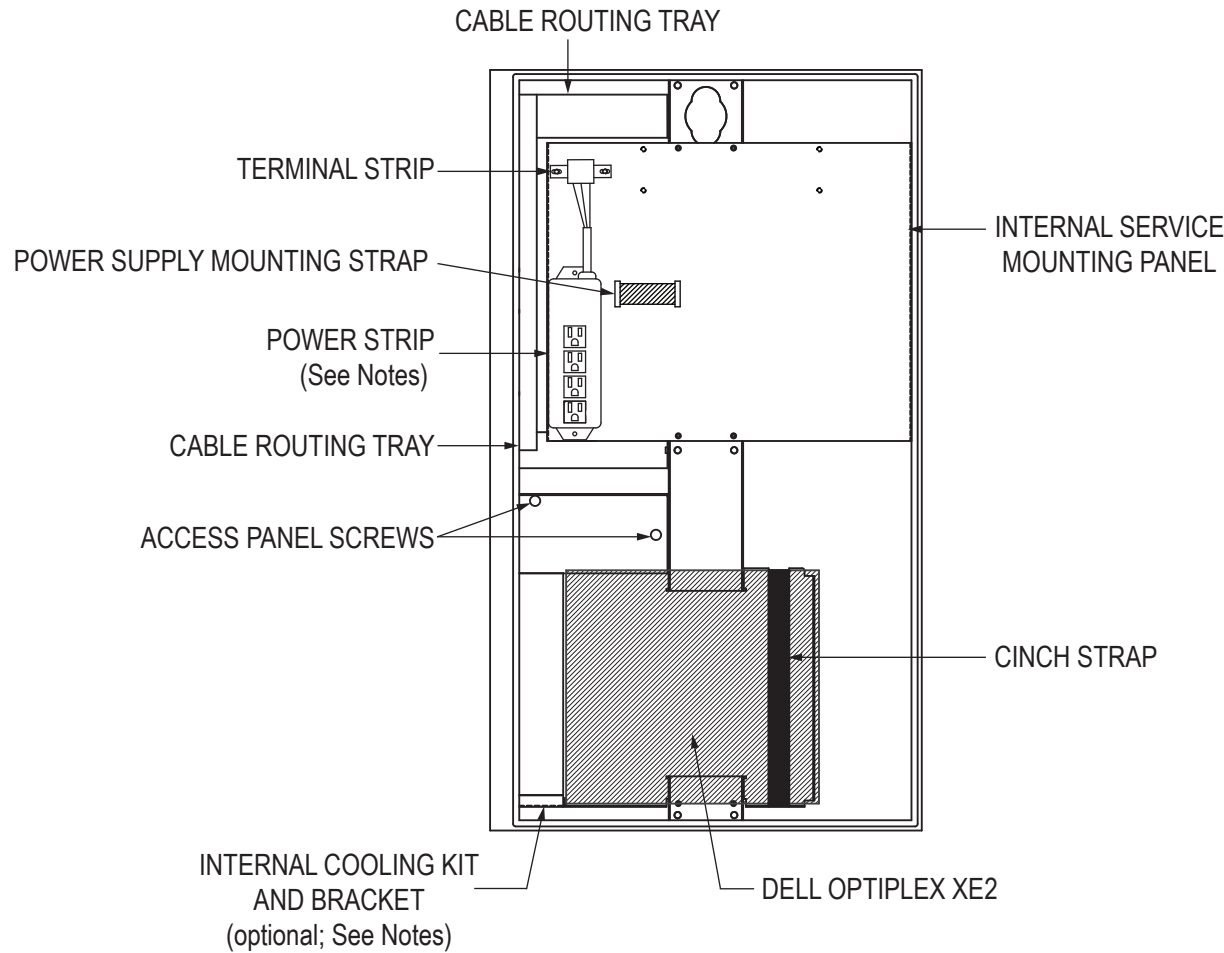


### Close-up showing measurements of Access Door Mounting Bracket



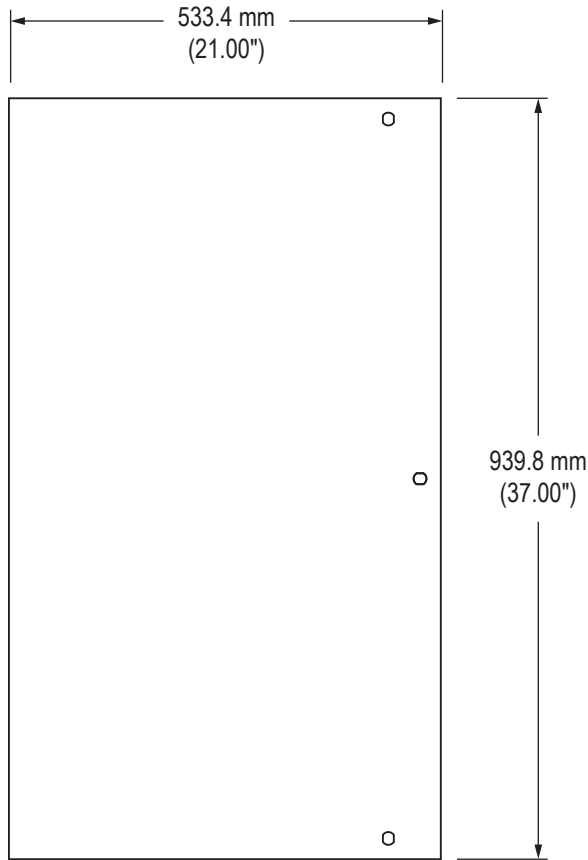
# DELL OPTIPLEX XE2 FAN KIT (MK-PC10-DELLXE2)

## Inside View of Enclosure

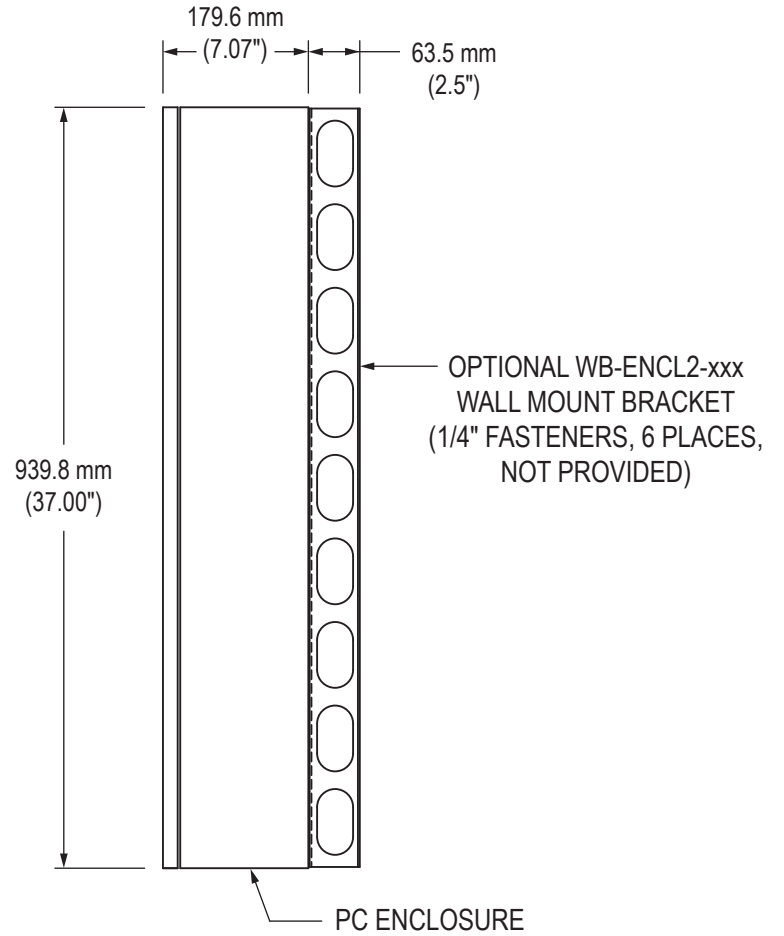


# WALL MOUNTING BRACKET

Front View of Enclosure

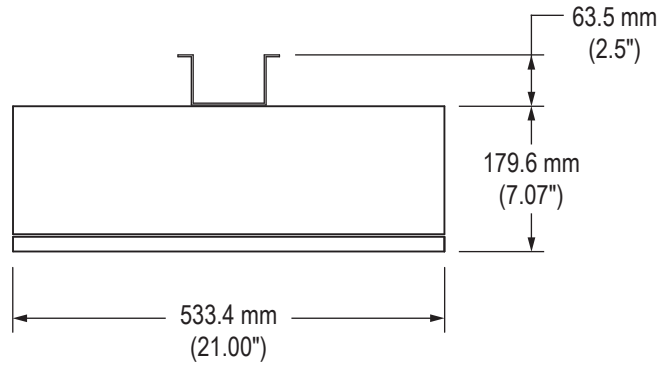


Side View

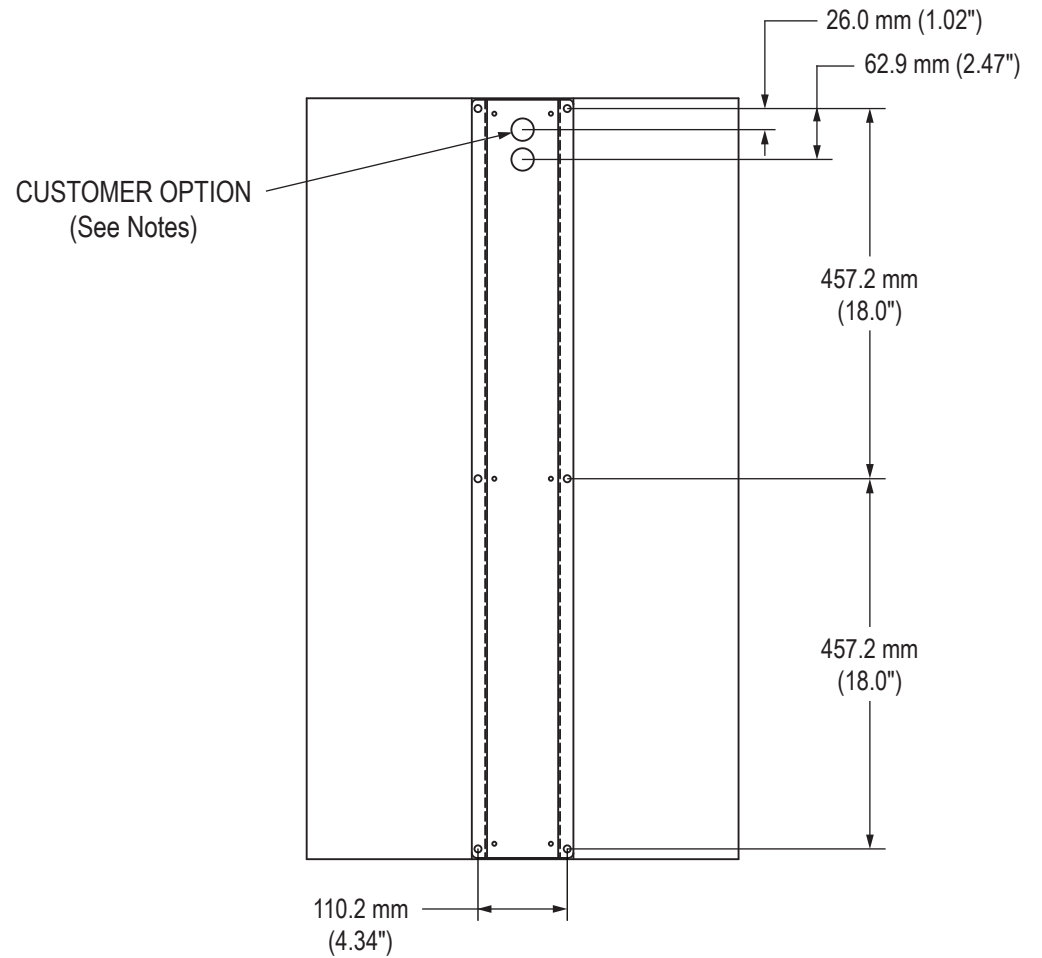


# WALL MOUNTING BRACKET

Top View

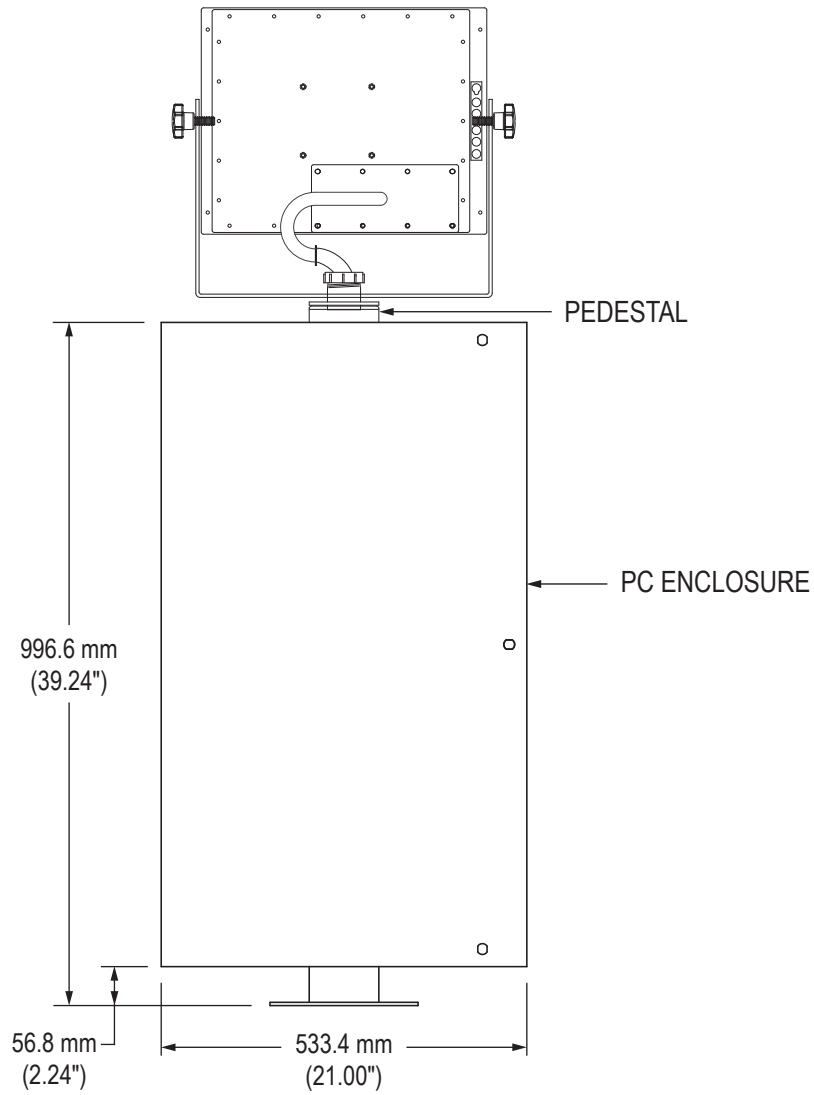


Rear View



MOUNTED ON PED4X4

Rear View



Side View

