



Installation Instructions

ENCL-TC00- __ Series

Thin Client / Small PC Enclosures

→ IMPORTANT!

Follow these instructions carefully in order to ensure proper installation. Failure to follow these instructions correctly could result in damage to your product. Operator could be exposed to dangerously high voltage if AC power is not connected properly. Verify all wiring is properly connected.

1. Refer to Figure 1. Mount the enclosure to HIS pedestal using the provided four 1/4-20 bolts. Pre-tapped holes are provided on specific HIS pedestal models. If you will not be using an HIS pedestal, mount the enclosure to a smooth wall surface using the hole pattern shown in Figure 1, or use HIS part number WB-ENCL1-SS4 (not included). If enclosure wiring is not going through the rear hole already provided, punch conduit holes as required.

NOTE: Keyless latches should be operated with a 6 mm (0.25") wide screwdriver bit to prevent scarring or scratching of the lock mechanism.

2. Refer to Figure 2. Remove caps on Cable Routing Trays.
3. Install monitor and other components at this time, following the instructions provided with those devices. Route all cables, including Ethernet and incoming power, at this time.
4. Refer to Figure 3. If you will be using a Thin Client or PC, install it at this time.

- a. Install the Thin Client or PC onto the enclosure access door by using the provided mounting bracket holes or drilling custom hole locations into the mounting bracket.

NOTE: The mounting bracket can be adjusted left and right as needed to provide proper clearance for door to close. Pay special attention to clearance between any cable connections and internal enclosure components.

- b. Hook up all data cables to the Thin Client or PC.

5. Neatly route all cables through the Cable Trays. Ensure cables allow free swinging of the enclosure access door and will not be caught in the door seal.

WARNING: Failure to route cables without ensuring they won't get caught in the door seal could cause leakage and damage the cables or other internal components and void your warranty.

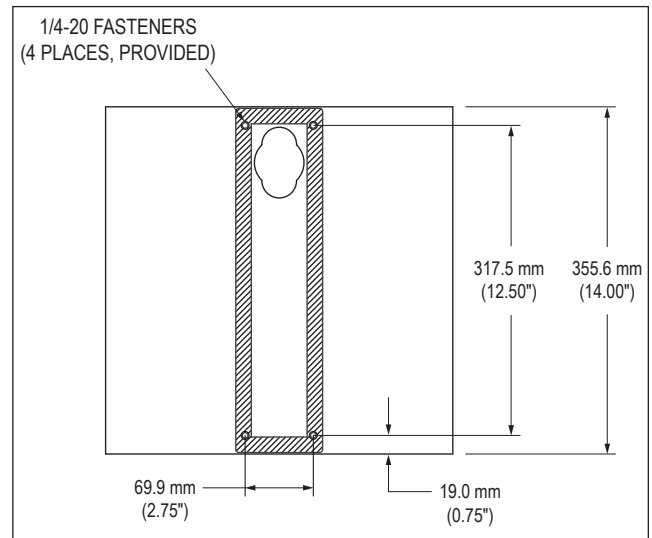


FIGURE 1 – REAR VIEW SHOWING MOUNTING PATTERN

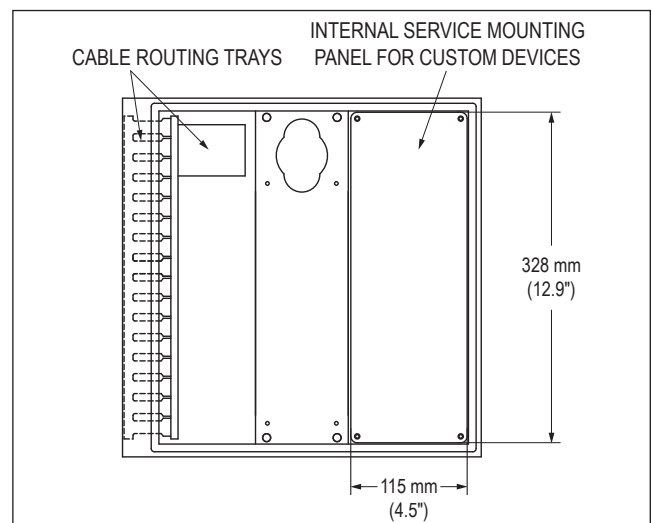


FIGURE 2 – INSIDE VIEW OF ENCLOSURE



Thin Client / Small PC Enclosure Installation Instructions (continued)

6. Install any other hardware on the internal service panel as required.
7. Reinstall the cable routing tray caps that were previously removed in step 2.
8. Power up the Thin Client or PC and test the system before closing and latching the enclosure access door.

WARNING: Failure to close the enclosure access door may result in water damage to internal components in a wet environment and void your warranty.

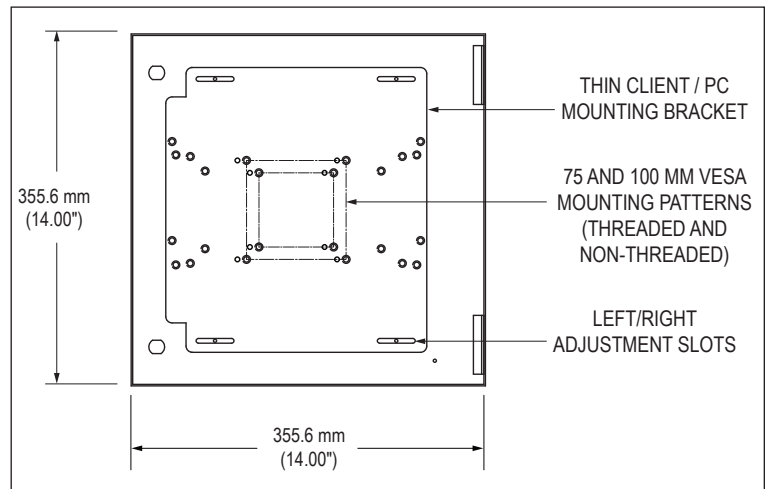


FIGURE 3 – INSIDE VIEW OF ACCESS DOOR