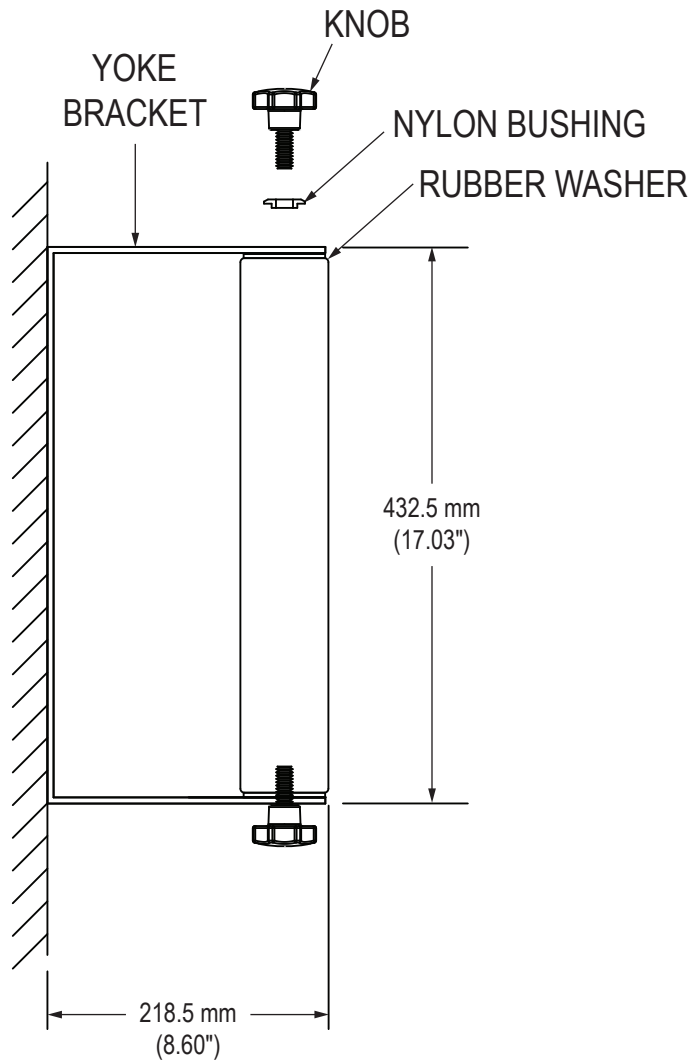
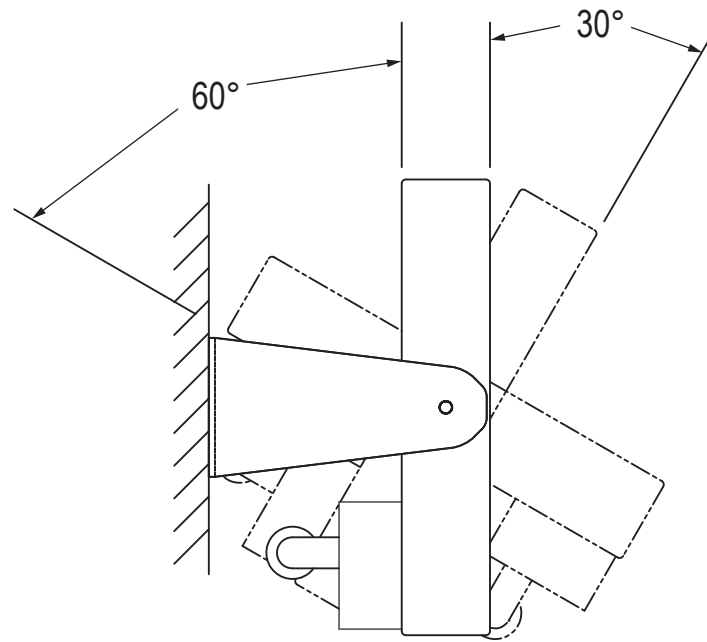


15/17" MODEL

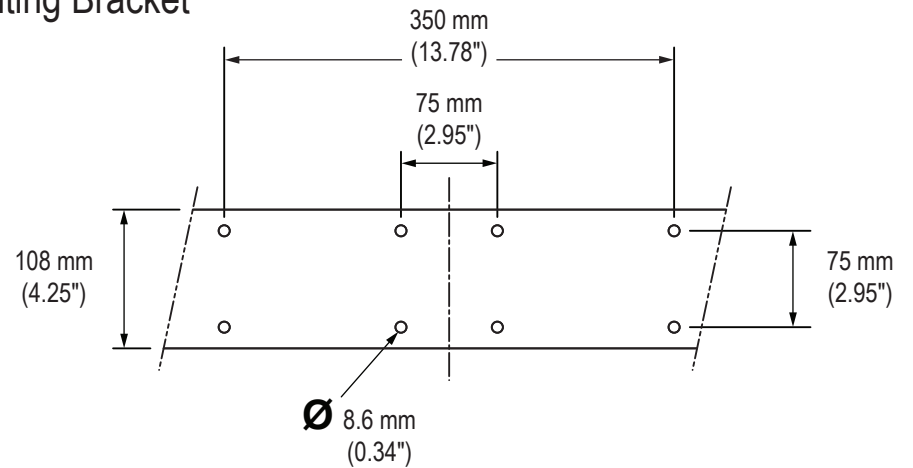
Top View



Side View



Mounting Bracket

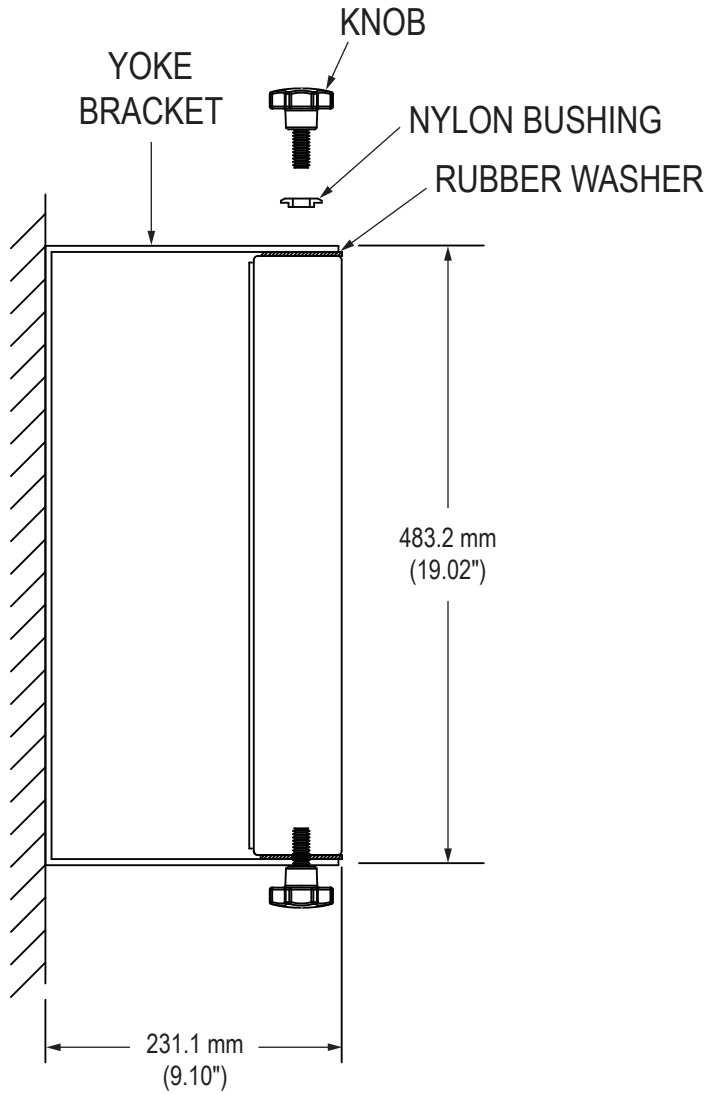


Mechanical Drawing – Heavy Industrial Wall Yoke

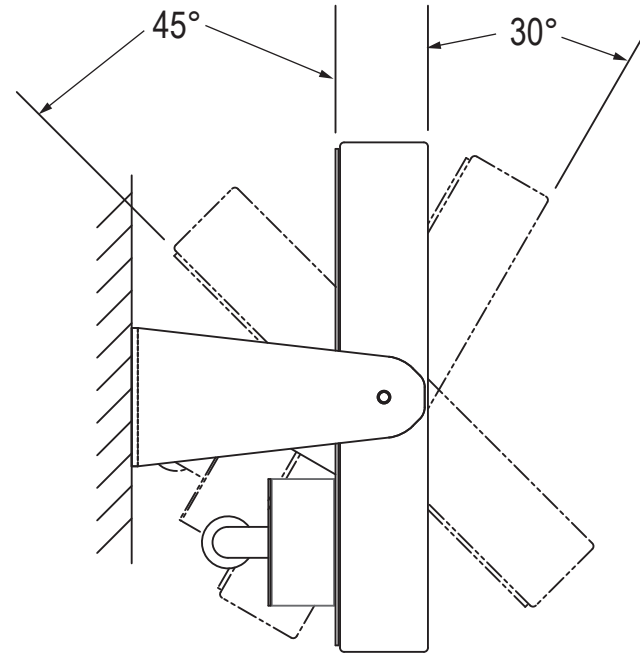


19" MODEL

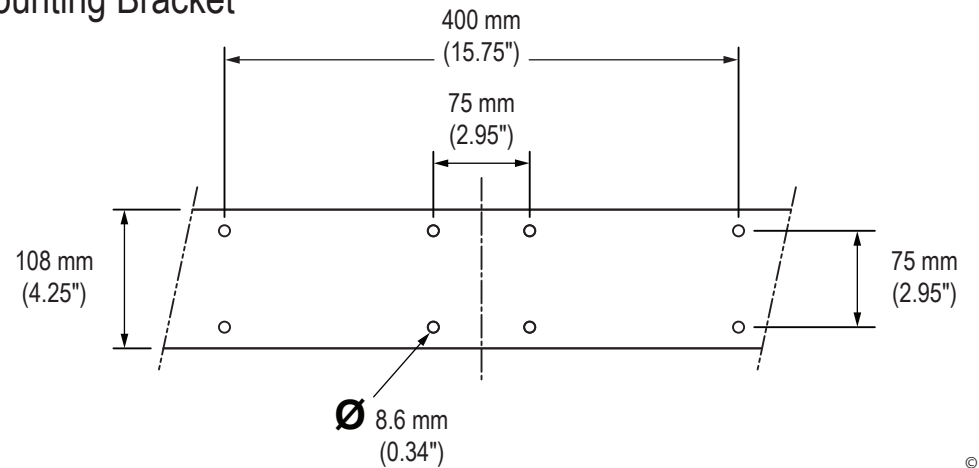
Top View



Side View

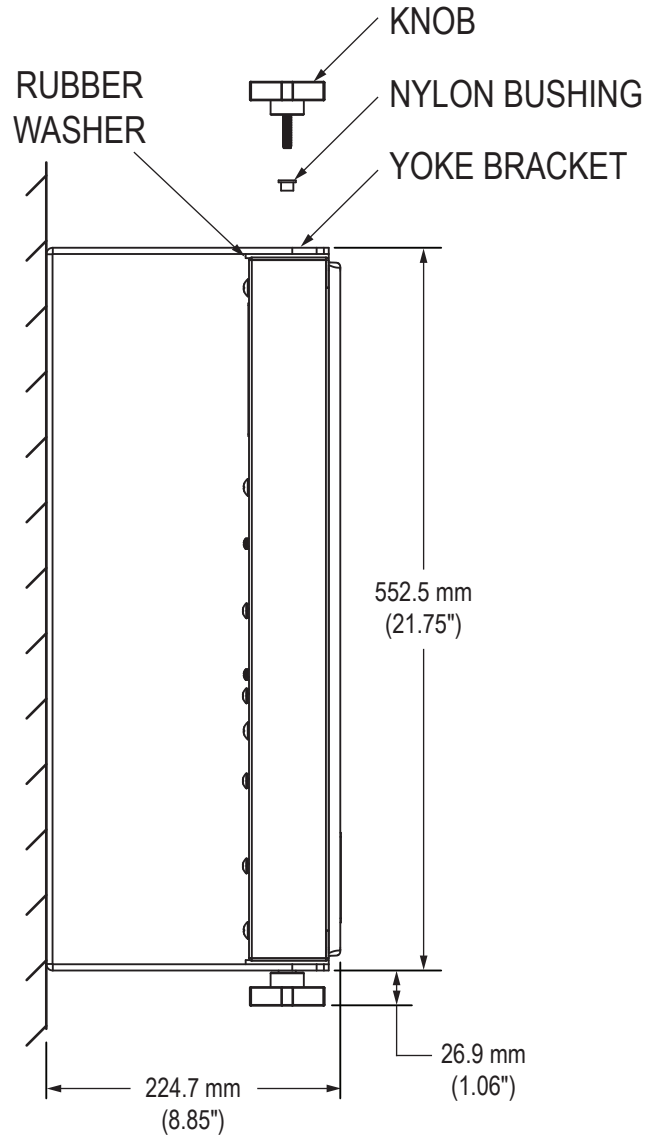


Mounting Bracket

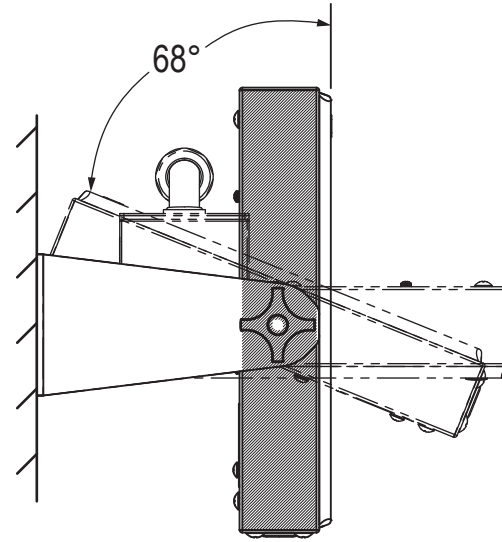


19.5" MODEL

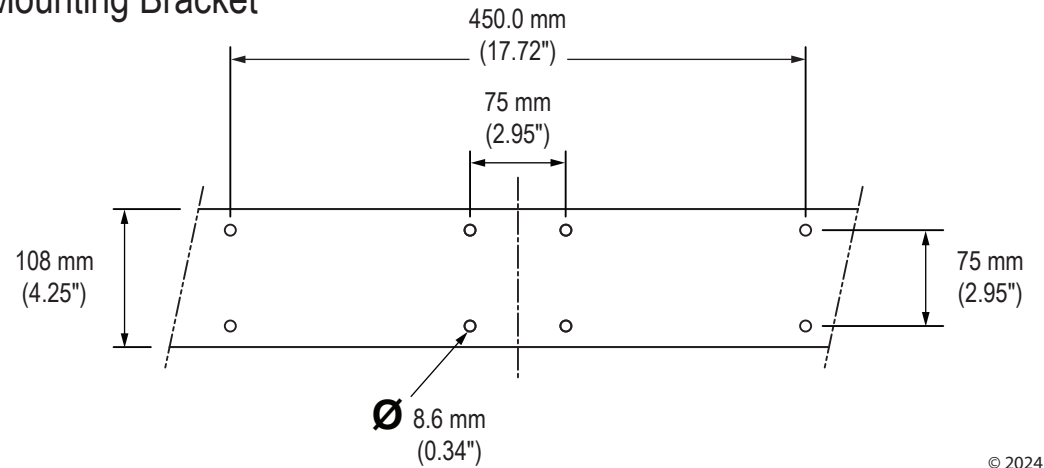
Top View



Side View



Mounting Bracket

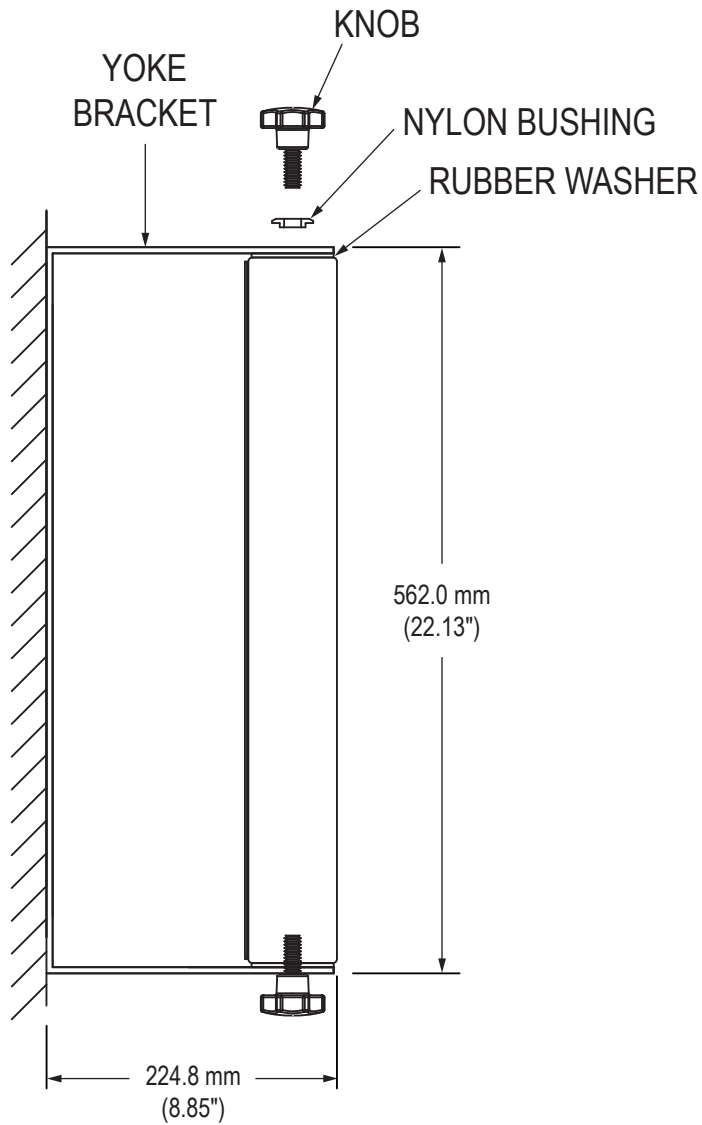


Mechanical Drawing – Heavy Industrial Wall Yoke

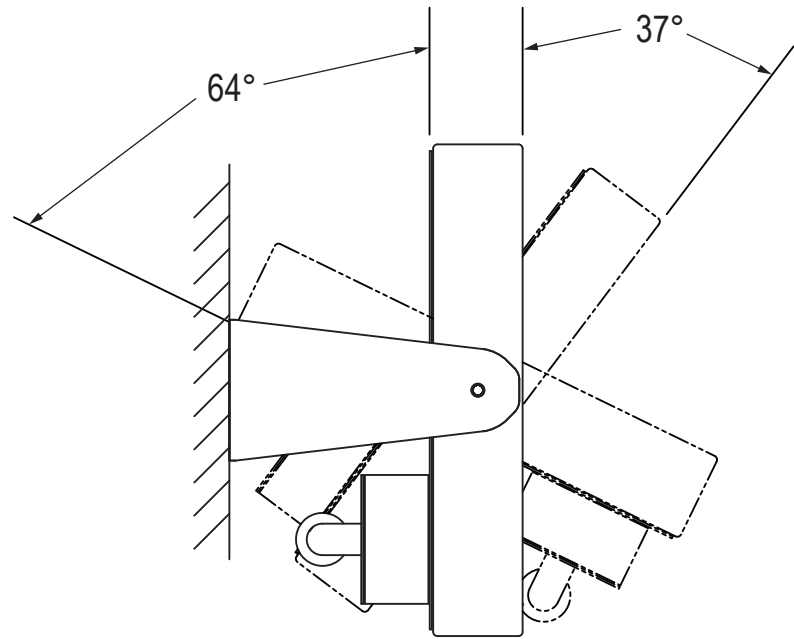


22" MODEL

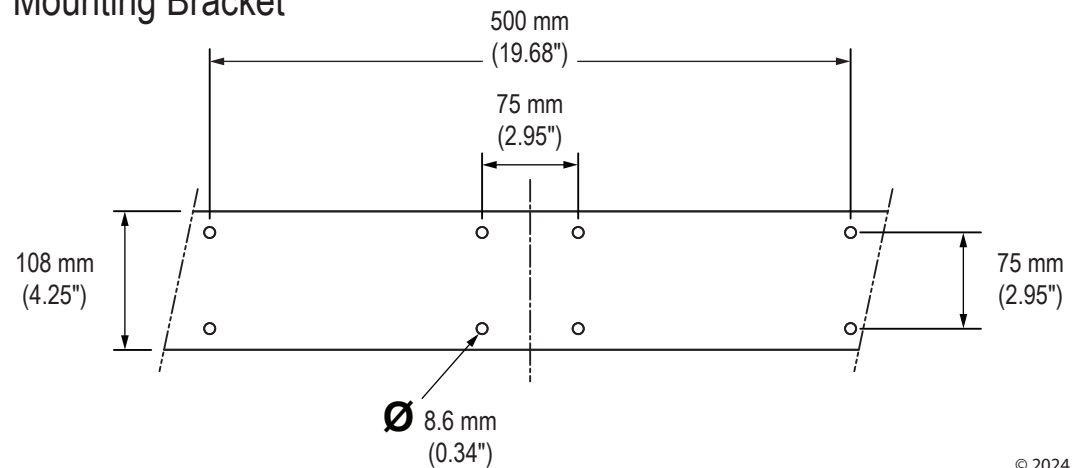
Top View



Side View



Mounting Bracket

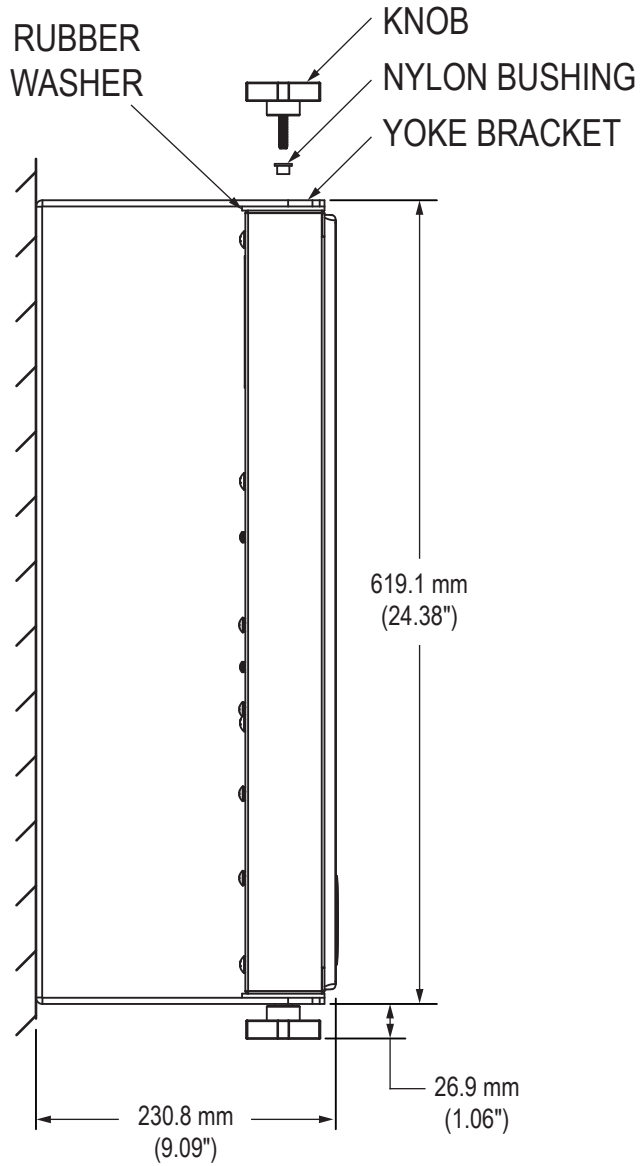


Mechanical Drawing – Heavy Industrial Wall Yoke

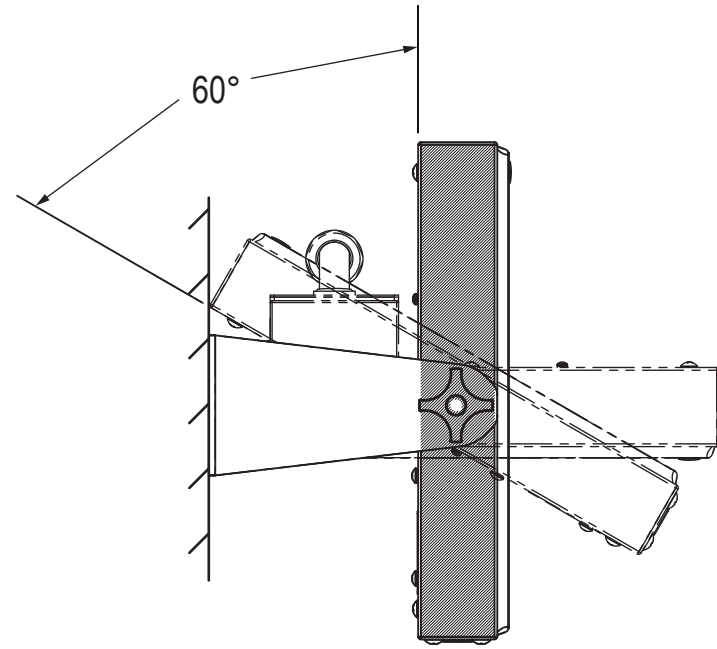


23.8" MODEL

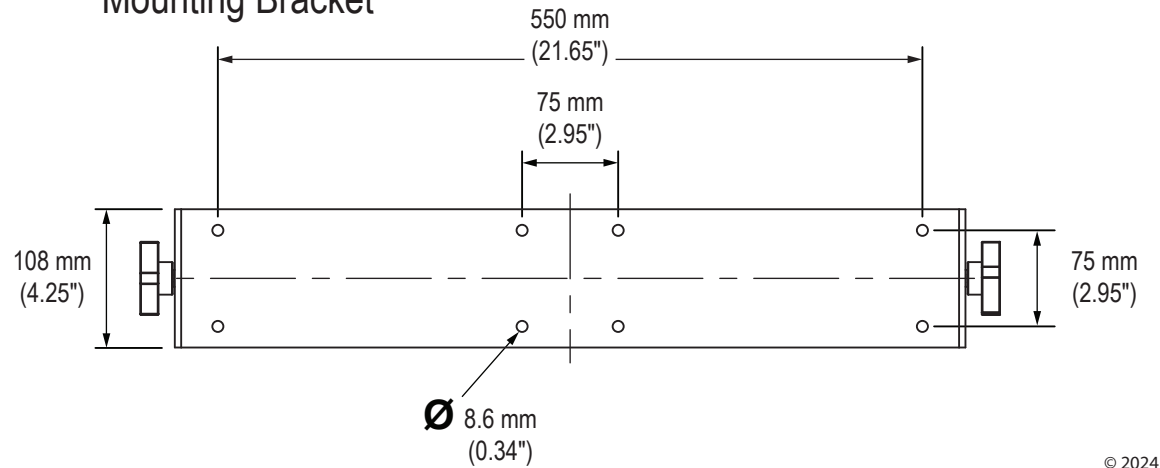
Top View



Side View



Mounting Bracket



Mechanical Drawing – Heavy Industrial Wall Yoke

