



Installation Instructions

UM-HANDLE-1-BLK and UM-HANDLE-1-SS

Handle for Universal Mount Monitors

1. Remove and discard the four screws from the locations marked "A" in Figure 1. For stainless steel models, also remove and discard the black rubber O-rings.
2. Refer to Figures 2 and 3. Install the handle using the four provided 1/4-20 screws and O-rings as shown.
3. Tighten all screws until the brackets are flush with the base of the monitor. Access hole provided for screwdriver to tighten front two screws.

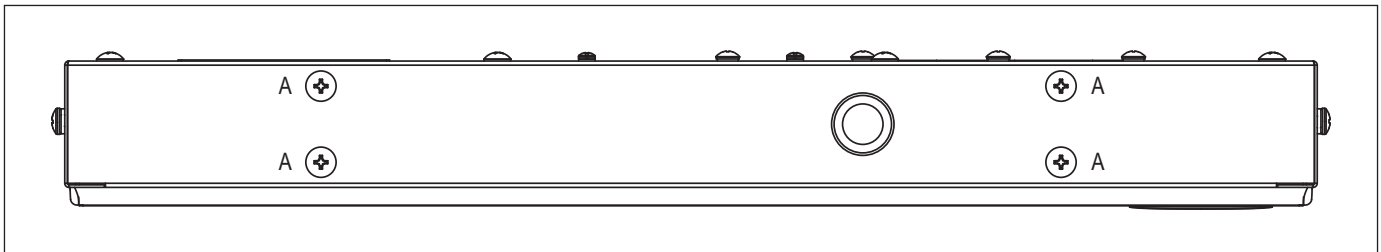
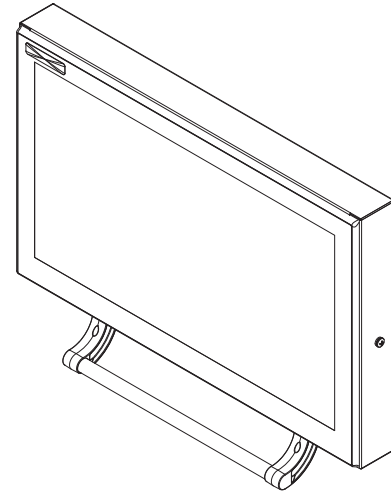


FIGURE 1 – BOTTOM VIEW OF UNIVERSAL MOUNT MONITOR

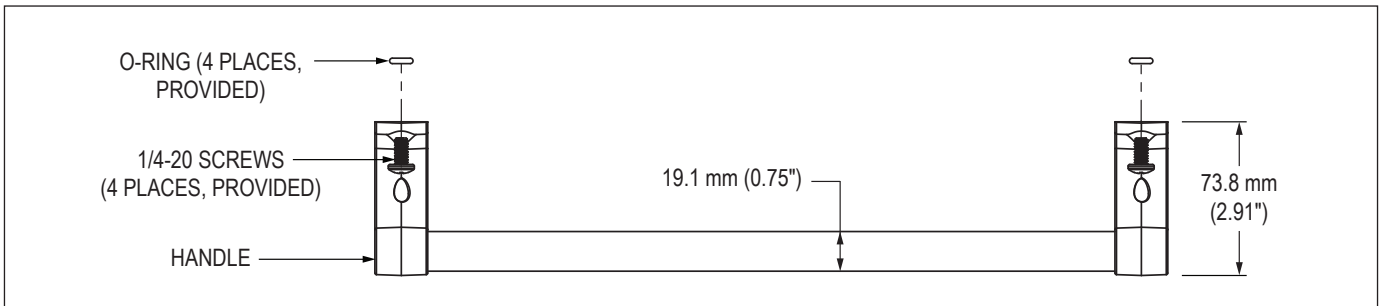


FIGURE 2 – FRONT VIEW OF HANDLEBAR

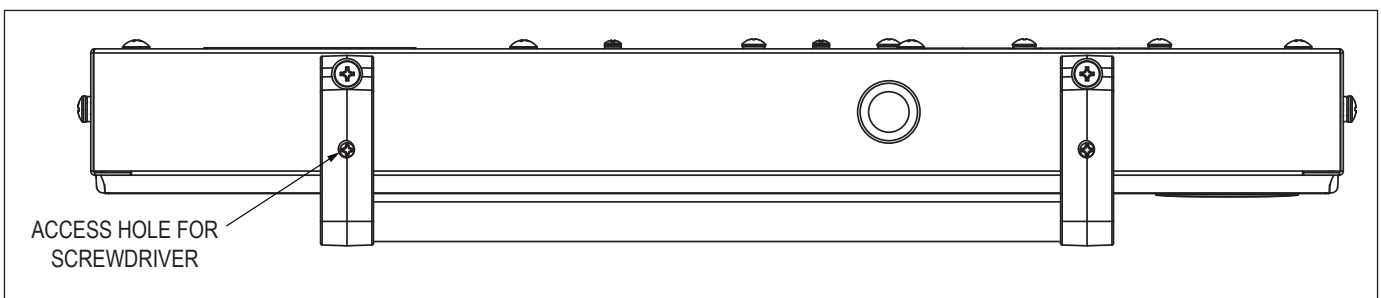


FIGURE 3 – BOTTOM VIEW OF UNIVERSAL MOUNT MONITOR WITH HANDLEBAR INSTALLED